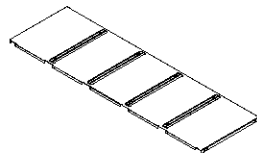
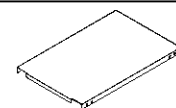


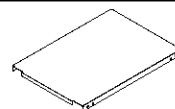
Top Plate: 1 Pc



Bottom Plate: 1 Pc



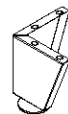
Left Middle Plate: 4 Pcs



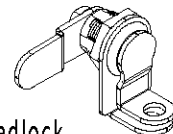
Right Middle Plate: 1 Pc



Hanging Rod:
Left(Short): 8 Pcs
Right(Long): 2 Pcs



Standing Feet: 4 Pcs



Padlock
Hasp: 10 Pcs



Self-tapping
Screw(5x12): 46 Pcs

Left
Side Plate: 1 Pc

Right
Side Plate: 1 Pc

Division Plate: 4 Pcs

Door Frame: 1 Pc

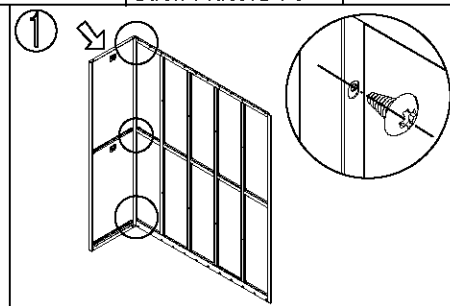
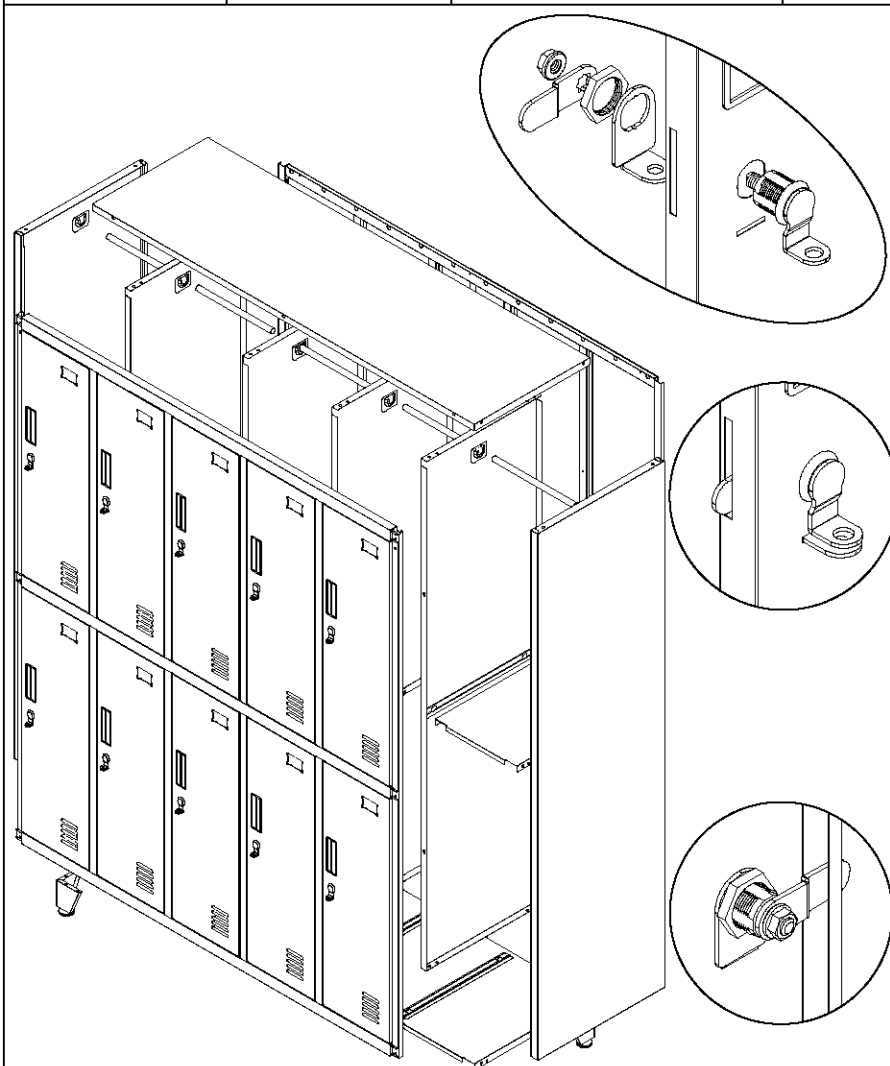
Back Plate: 1 Pc

Bottom Plate: 1 Pc

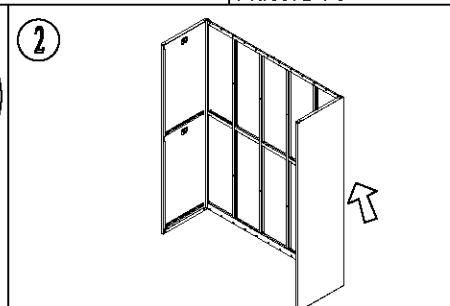
Right Middle
Plate: 1 Pc

Padlock
Hasp: 10 Pcs

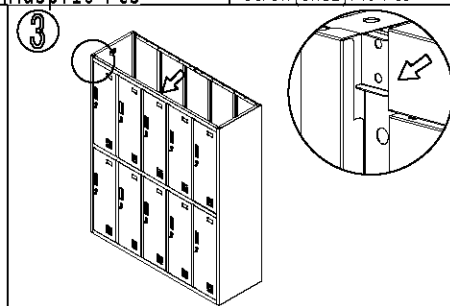
Self-tapping
Screw(5x12): 46 Pcs



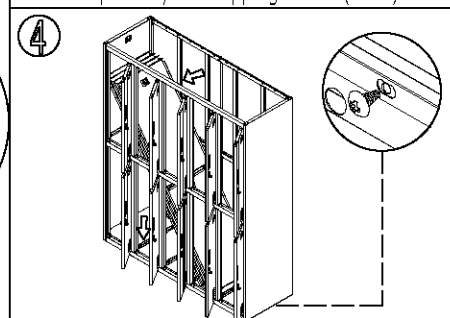
1 Connect the left side plate with back plate by self-tapping screws(5x12).



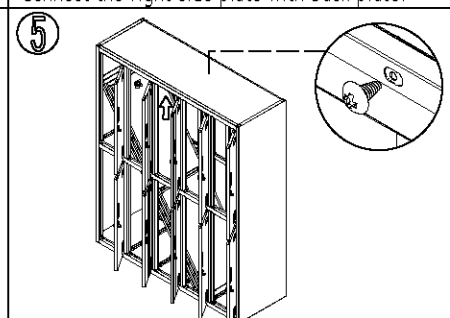
2 Connect the right side plate with back plate.



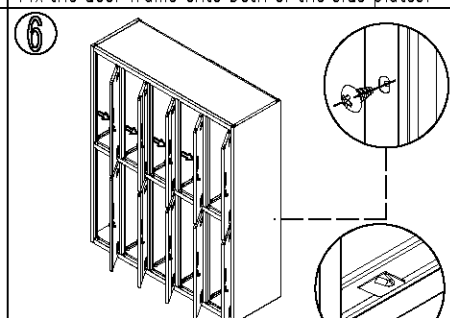
3 Fix the door frame onto both of the side plates.



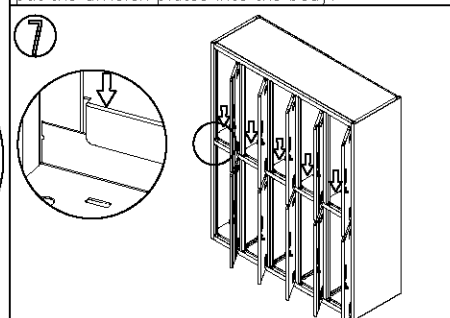
4 Install the bottom plate firstly, and put the division plates into the body.



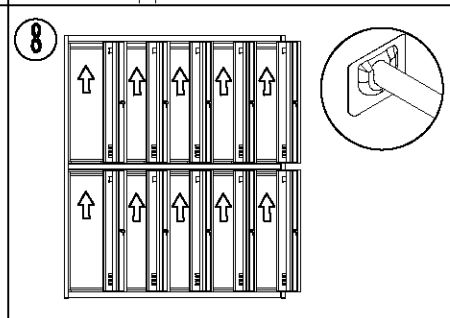
5 Install the top plate.



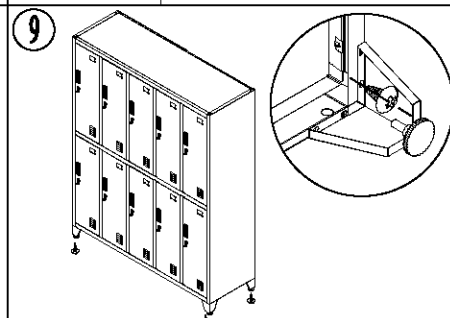
6 Fix the division plates.



7 Install the middle plates.



8 Install the hanging rods.



9 Install the standing feet, and then adjust each part till fit well.