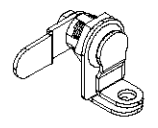


Self-tapping Screw(5x12): 54 Pcs



Padlock Hasp: 15 Pcs

Left Side Plate: 1 Pc

Right Side Plate: 1 Pc

Division Plate: 4 Pcs

Door Frame: 1 Pc

Back Plate: 1 Pc

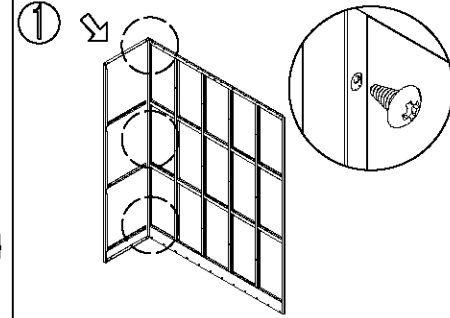
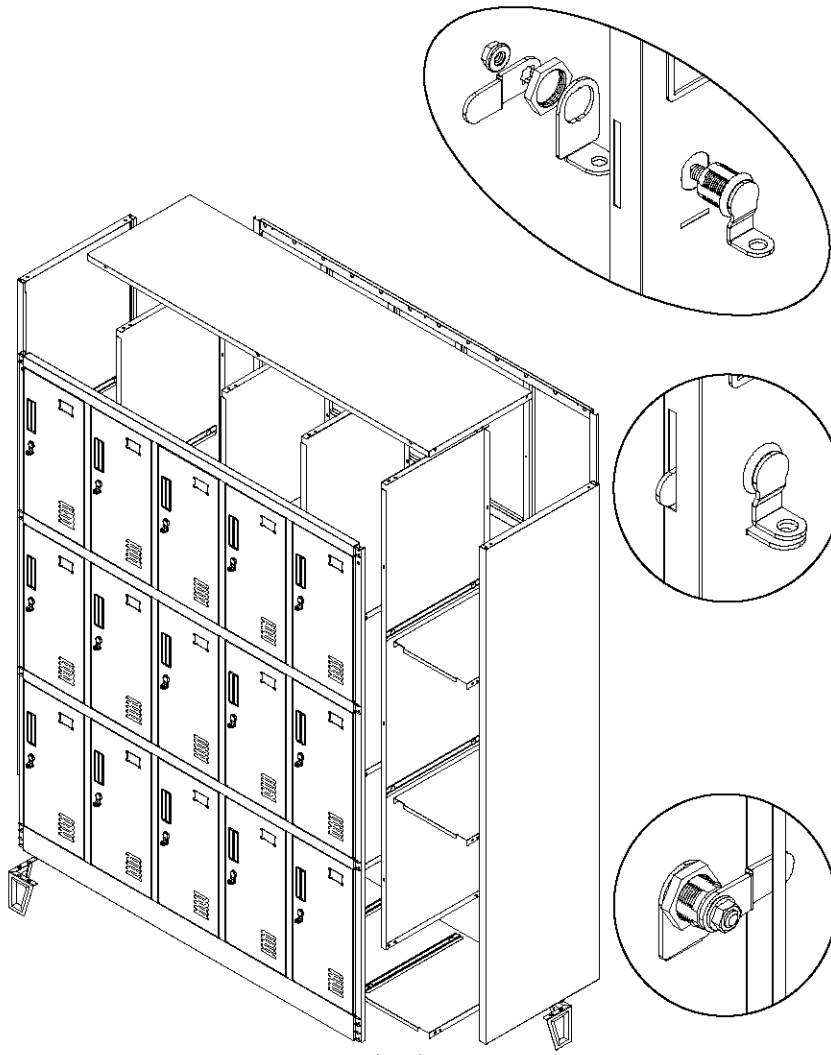
Top Plate: 1 Pc

Left Middle Plate: 8 Pcs

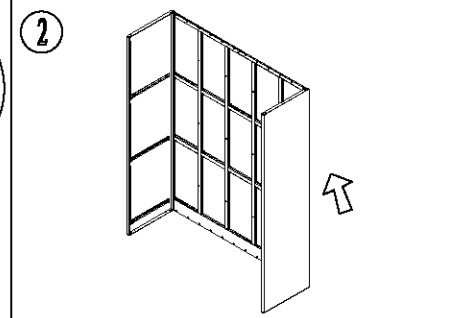
Bottom Plate: 1 Pc

Right Middle Plate: 2 Pcs

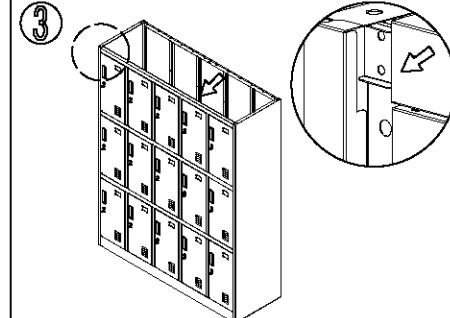
Standing Feet: 4 Pcs



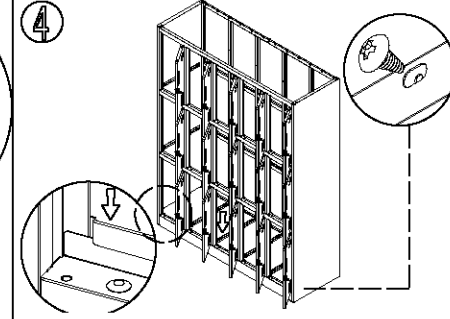
1 Connect the left side plate with back plate by self-tapping screws(5x12).



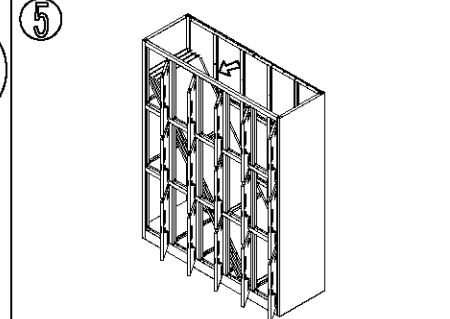
2 Connect the right side plate with back plate.



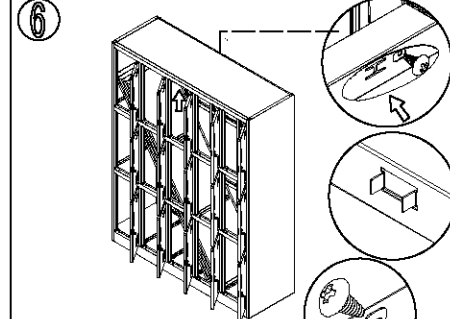
3 Fix the door frame onto both of the side plates.



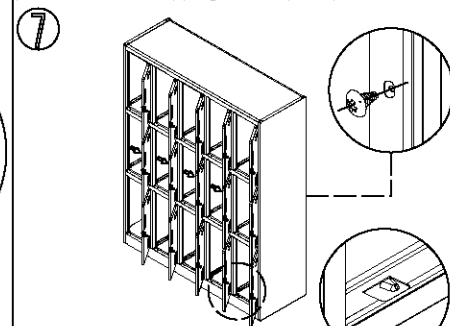
4 Fix the bottom plates with self-tapping screws(5x12).



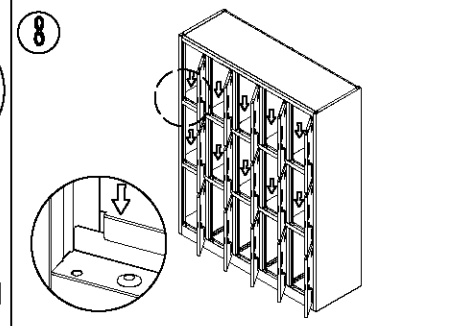
5 Put the division plates into the body.



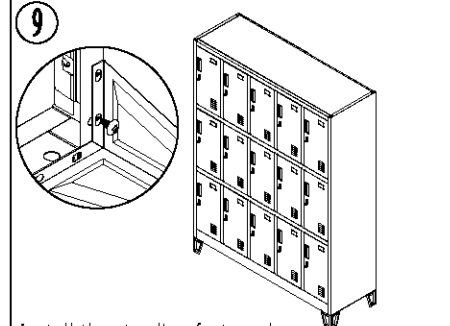
6 Install the top plates.



7 Fix the division plates.



8 Install the middle plates.



9 Install the standing feet, and then adjust each part till fit well.