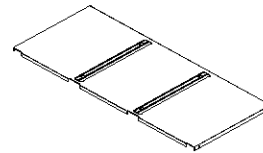


Upper Division Plate(Small):2 Pcs

Top Plate:1 Pc

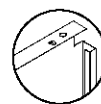
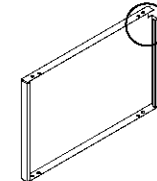
Middle Plate:5 Pcs



Self-tapping Screw(5X12): 18 Pcs



Key:18 Sets



Lower Division Plate(Big):10 Pcs

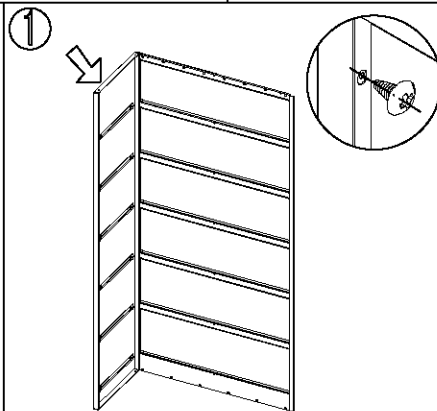
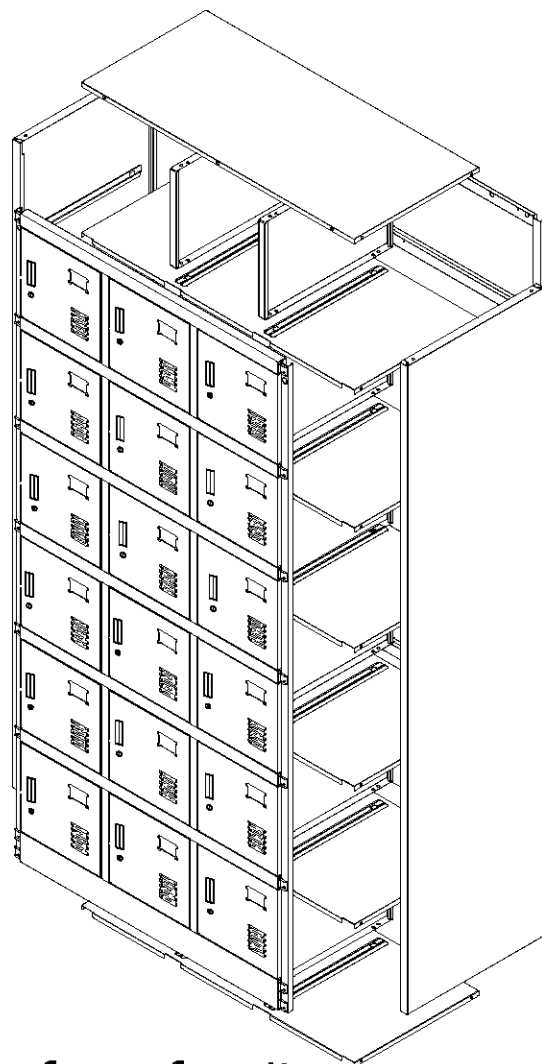
Bottom Plate:1 Pc

Left Side Plate:1 Pc

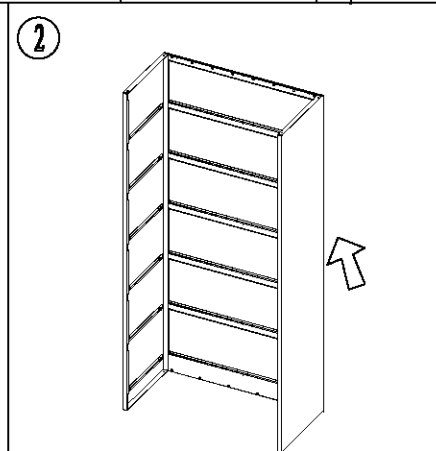
Right Side Plate:1 Pc

Door Frame:1 Pc

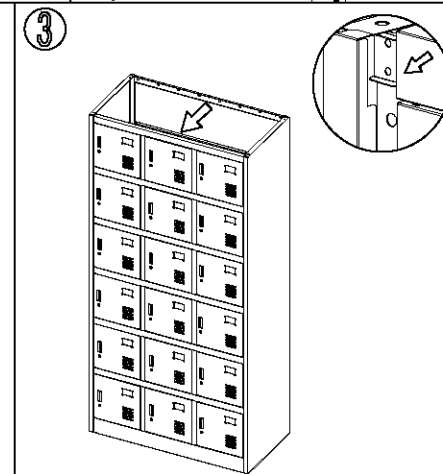
Back Plate:1 Pc



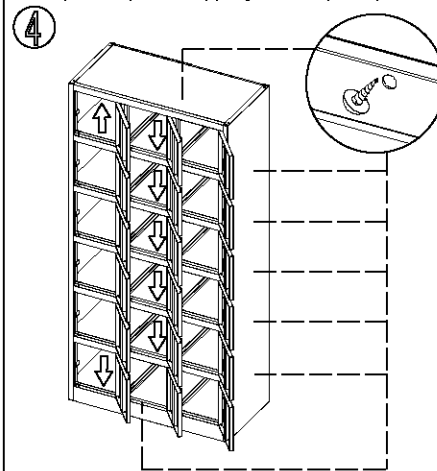
1 Connect the left side plate with back plate by self-tapping screws(5x12).



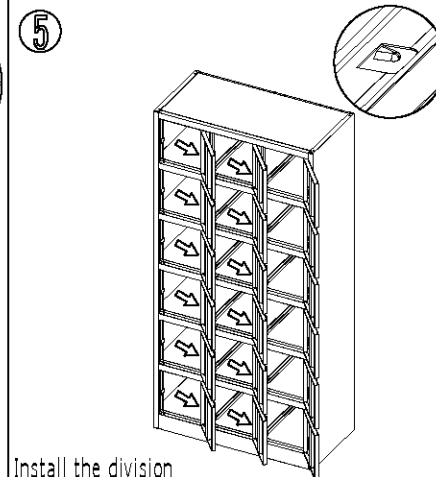
2 Connect the right side plate with back plate.



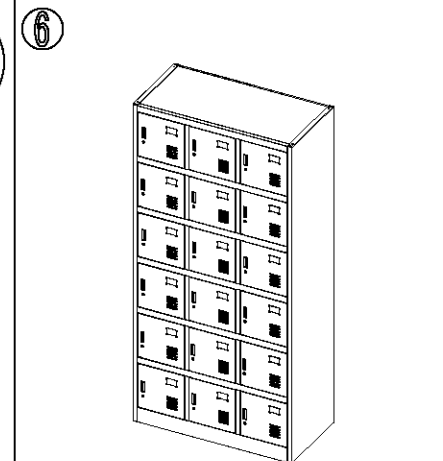
3 Fix the door frame as shown in the picture.



4 Install the top, middle and bottom plates respectively as shown in the picture.



5 Install the division plates.(Pay attention to the difference of upper and lower ones, the upper one is small and lower one is big.)



6 Adjust each part till fit well after installation.