





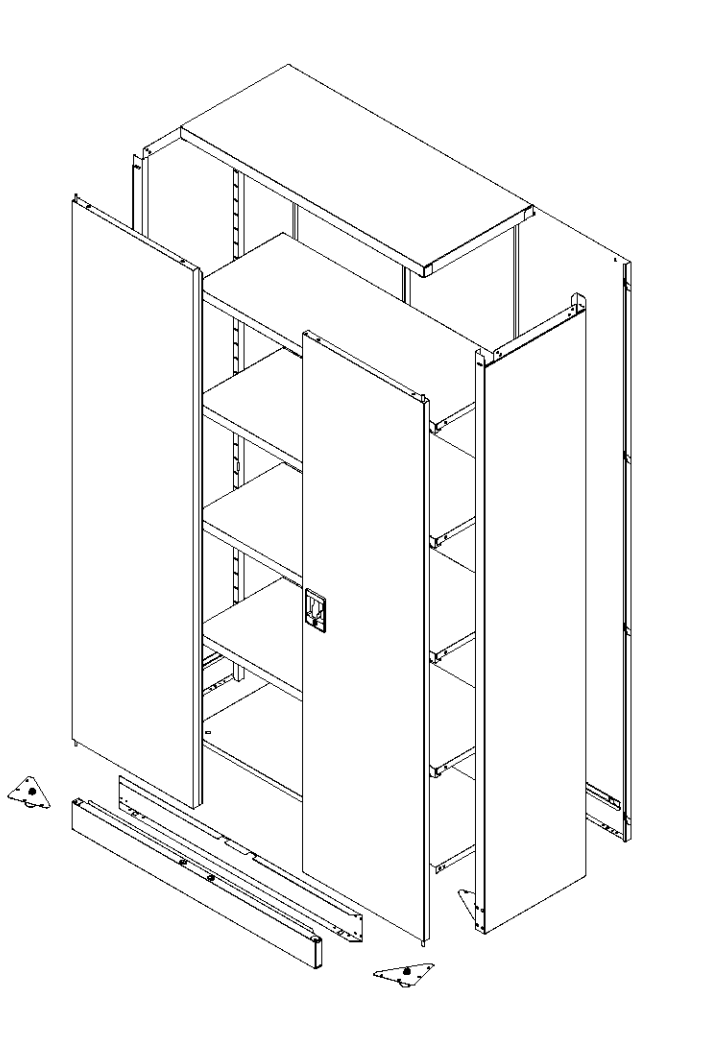
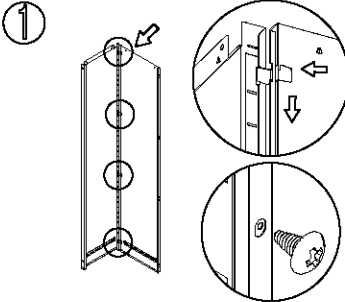
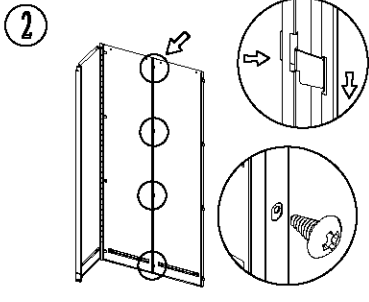
 M4 Screw: 4 Pcs  Screw Cap M4: 4 Pcs	 Self-tapping Screw(5x12): 28 Pcs	
Left Side Plate: 1 Pc	Right Side Plate: 1 Pc	Left Back Plate: 1 Pc	Right Back Plate: 1 Pc	Left Door: 1 Pc	Right Door: 1 Pc	Shelf: 4 Pcs	Top Plate: 1 Pc			 Outer Bottom Skirting: 1 Pc  Inner Bottom Skirting: 1 Pc
								 Adjusting Feet: 4 Pcs	 "7" Shape Door Spindle: 4 Pcs	

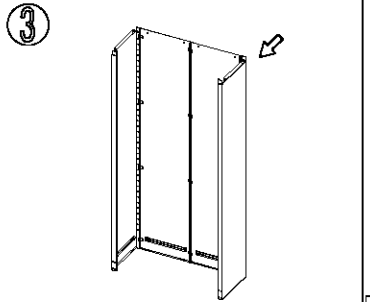


① 

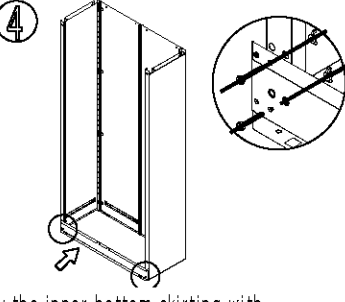
Connect the left side plate with left back plate by self-tapping screws(5x12).

② 

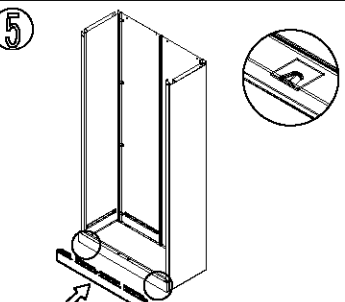
Connect the right back plate with left back plate.

③ 

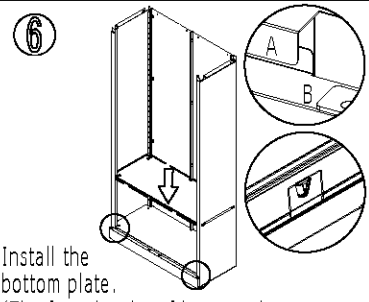
Connect the right side plate with right back plate.

④ 

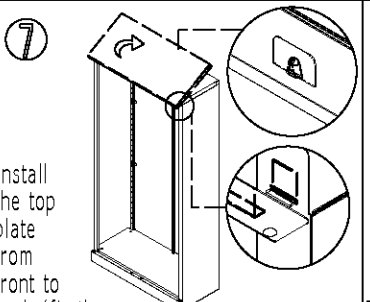
Fix the inner bottom skirting with M4 screws. (Fix the screws onto the inside 4 holes).

⑤ 

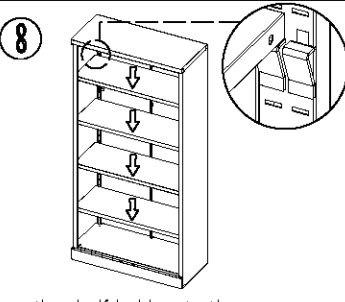
Put the outer bottom skirting onto the inner bottom panel.

⑥ 

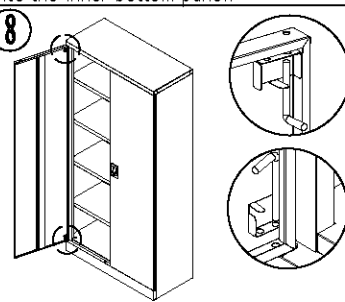
Install the bottom plate. (The front border of bottom plate should cover the upper border of outer bottom skirting)

⑦ 

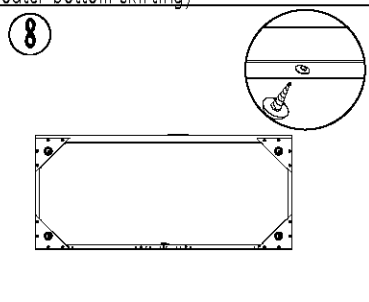
Install the top plate from front to back. (fix the front border with clip on the upper corner of side plate.)

⑧ 

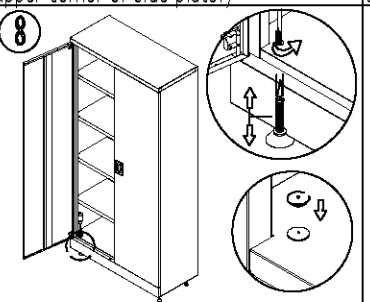
Place the shelf holders to the required height, then install the shelves.

⑧ 

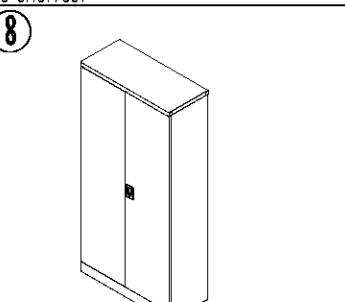
Install the doors.

⑧ 

Install the adjusting feet with self-tapping screws(5x12).

⑧ 

Adjust the feet with shape "-" screwdriver and place the end caps.

⑧ 

Ajust each part till fit well after installation.