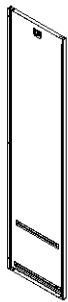


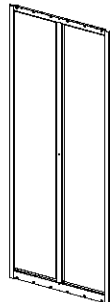
Left Side Plate:1 Pc



Right Side Plate:1 Pc



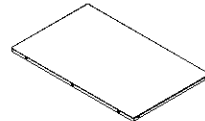
Door Frame:1 Pc



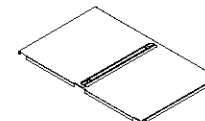
Back Plate:1 Pc



Division Plate:1 Pc

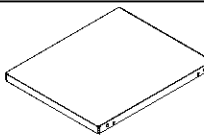


Top Plate:1 Pc



Bottom Plate:1 Pc

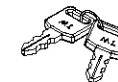
Small Shelves:  
Left(Small):1 Pc  
Right(Big):1 Pc



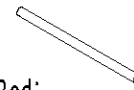
Standing Feet:4 Pcs



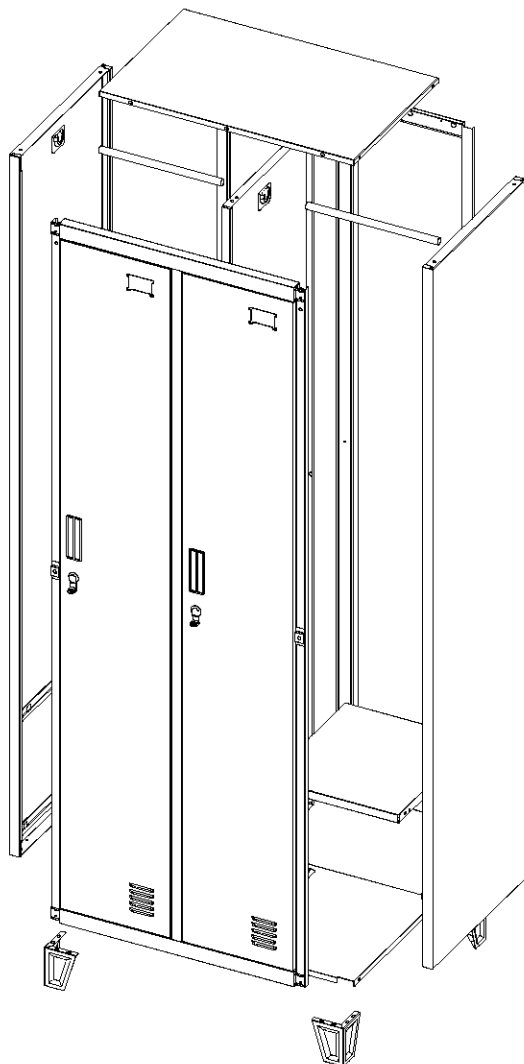
Self-tapping Screw(5x12):29 Pcs

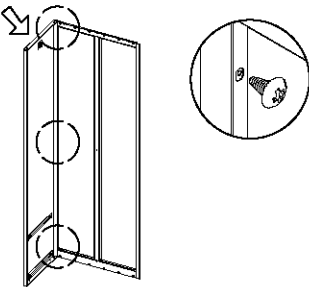


Key:2 Sets

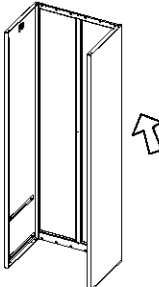


Hanging Rod:  
Left(Short):1 Pc  
Right(long):1 Pc

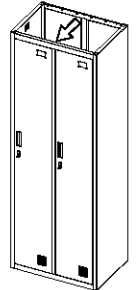


① 

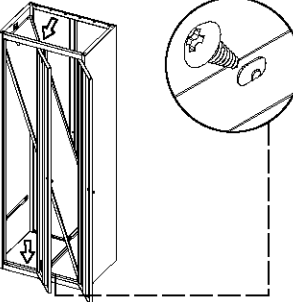
Connect the left side plate with back plate by self-tapping screws(5x12).

② 

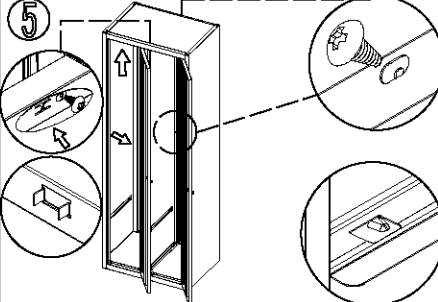
Connect the right side plate with back plate.

③ 

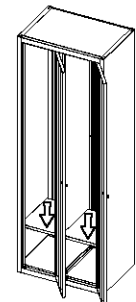
Fix the door frame onto both of the side plates.

④ 

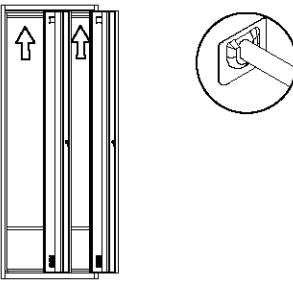
Install the bottom plate firstly, and put the lower division plate into the locker.

⑤ 

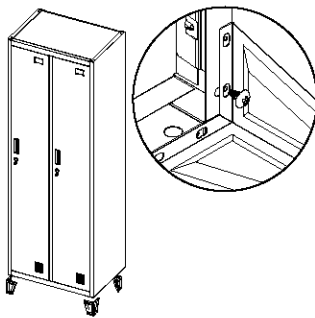
Install the top plate with screws(5x12), and then install the division plate.

⑥ 


Install the small shelves as shown in the picture.

⑦ 

Install the hanging rods.

⑧ 

Install the standing feet with screws(5x12)

⑨ 

Adjust each part till fit well after installation.