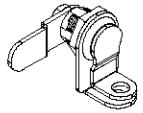


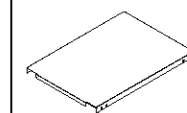
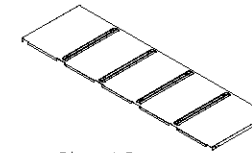
Self-tapping  
Screw(5x12):63 Pcs



Padlock Hasp:20 Pcs

Top Plate:1 Pc

Left Middle Plate:12 Pcs



Bottom Plate:1 Pc

Right Middle Plate:3 Pcs

Standing Feet:4 Pcs

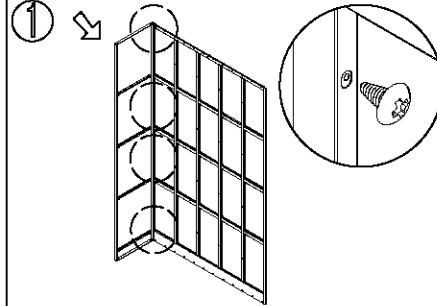
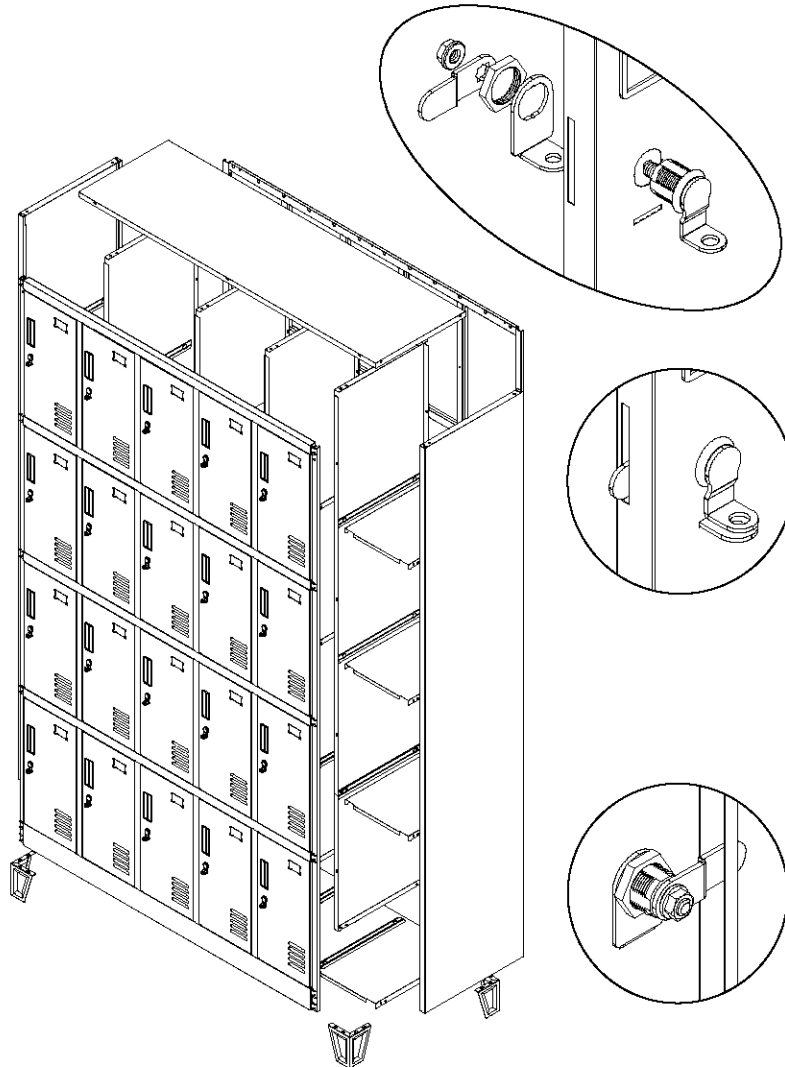
Left Side Plate:1 Pc

Right Side Plate:1 Pc

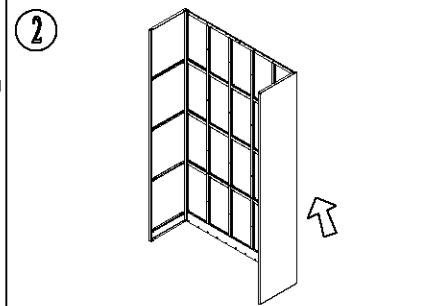
Division Plate:4 Pcs

Door Frame:1 Pc

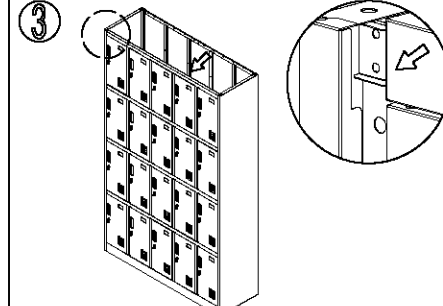
Back Plate:1 Pc



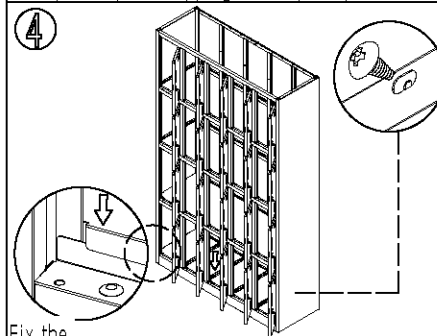
1 Connect the left side plate with back plate by self-tapping screws(5x12).



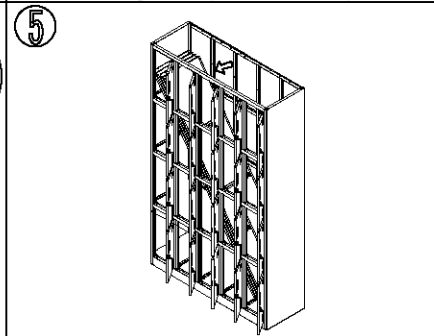
2 Connect the right side plate with back plate.



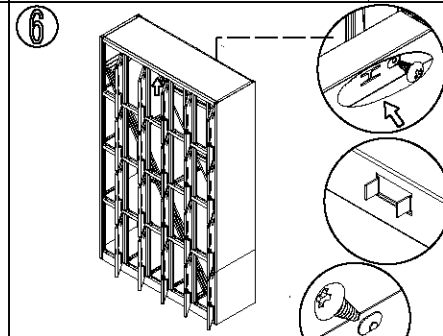
3 Fix the door frame onto both of the side plates.



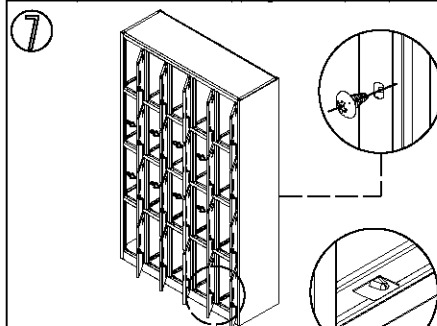
4 Fix the bottom plates with self-tapping screws(5x12).



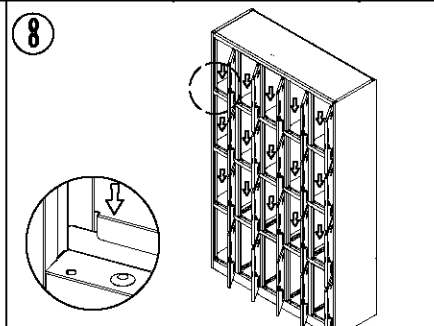
5 Put the division plates into the body.



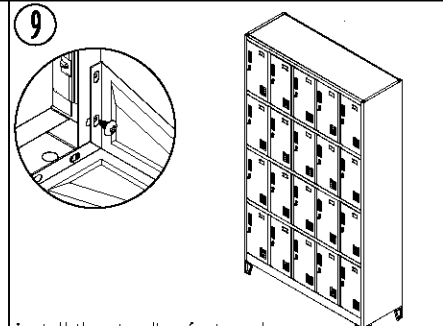
6 Install the top plates.



7 Fix the division plates.



8 Install the middle plates.



9 Install the standing feet, and then adjust each part till fit well.