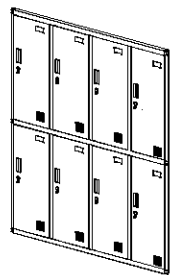


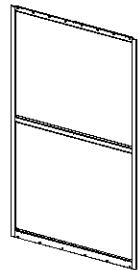
Left Side Plate:1 Pc



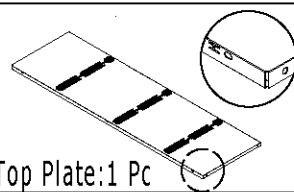
Right Side Plate:1 Pc



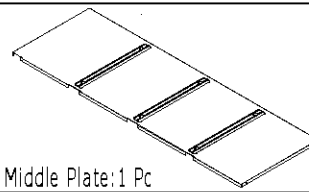
Door Frame:1 Pc



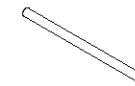
Back Plate:1 Pc



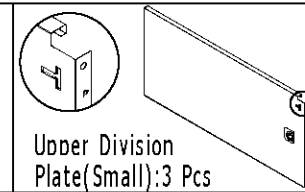
Top Plate:1 Pc



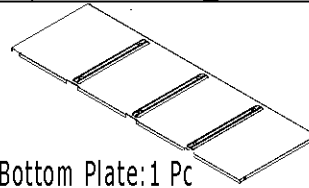
Middle Plate:1 Pc



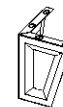
Hanging Rod:
Left(Short):6 Pcs
Right(Long):2 Pcs



Upper Division Plate(Small):3 Pcs



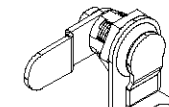
Bottom Plate:1 Pc



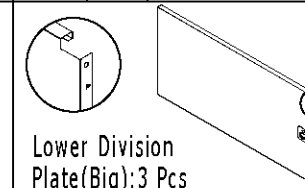
Standing Feet:4 Pcs



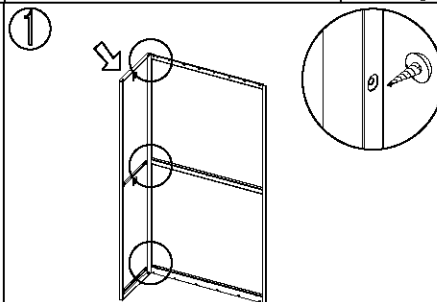
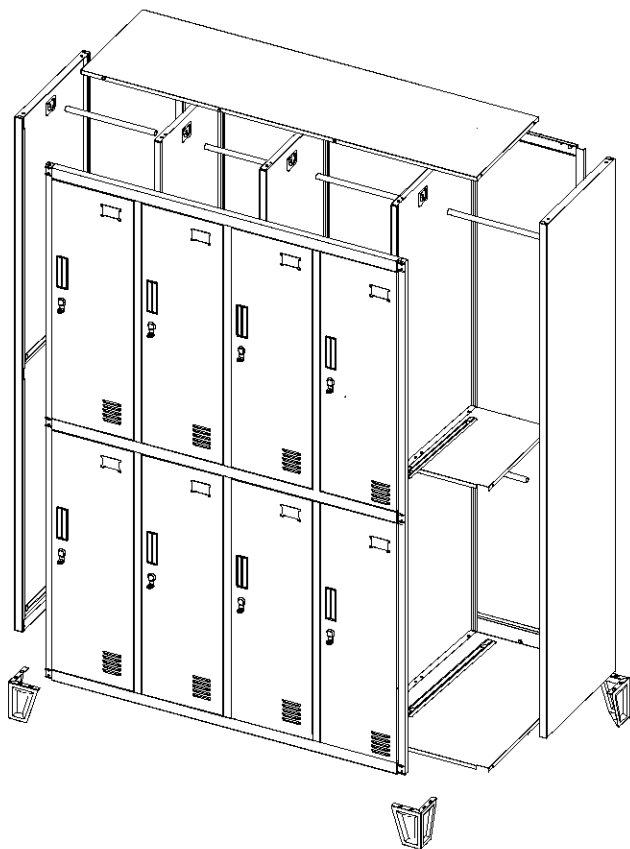
Self-tapping Screw(5x12):30 Pcs



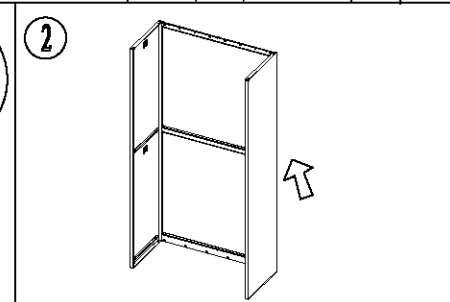
Padlock Hasp:8 Pcs



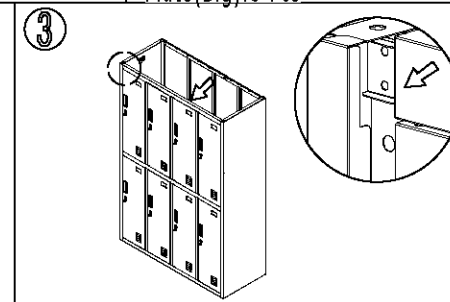
Lower Division Plate(Big):3 Pcs



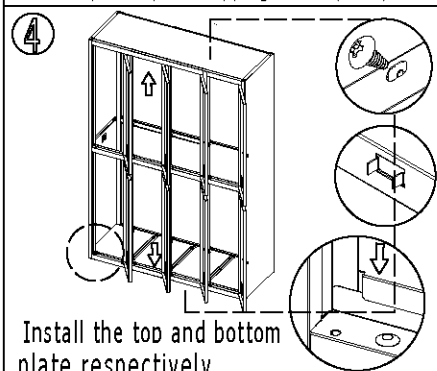
1 Connect the left side plate with back plate by self-tapping screws(5x12).



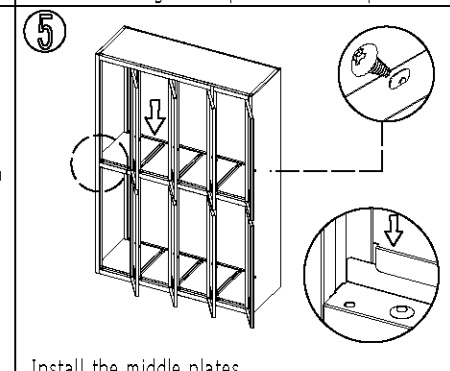
2 Connect the right side plate with back plate.



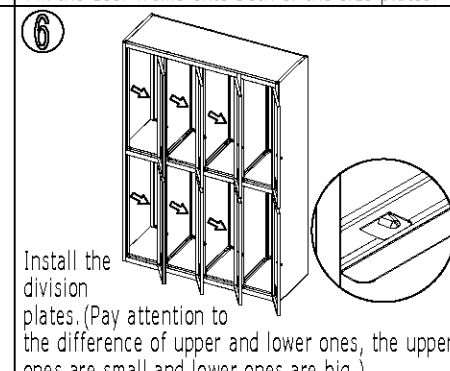
3 Fix the door frame onto both of the side plates.



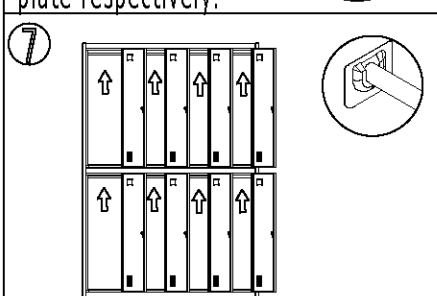
4 Install the top and bottom plate respectively.



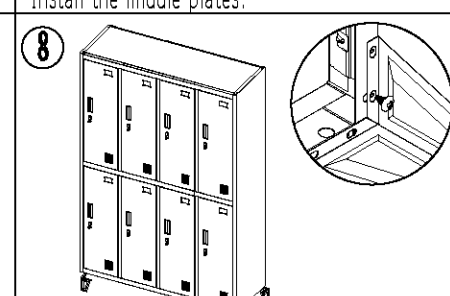
5 Install the middle plates.



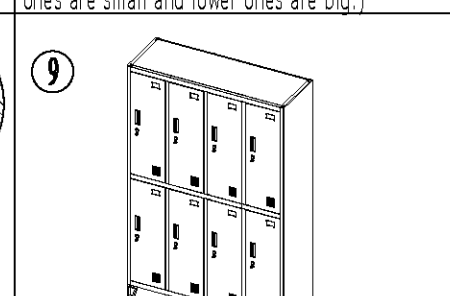
6 Install the division plates. (Pay attention to the difference of upper and lower ones, the upper ones are small and lower ones are big.)



7 Install the hanging rods.



8 Install the standing feet with screws(5x12).



9 Adjust each part till fit well after installation.