

Top Plate:1 Pc

Bottom Plate:1 Pc

Big Shelf:1 Pc

Right

Side Plate:1 Pc

Door Frame:1 Pc

Back Plate:1 Pc

Division Plate:1 Pc

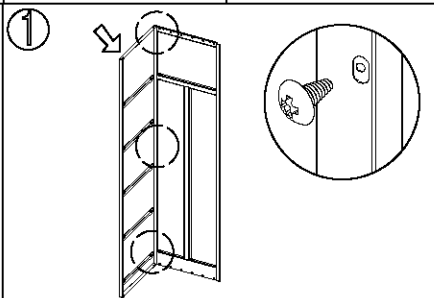
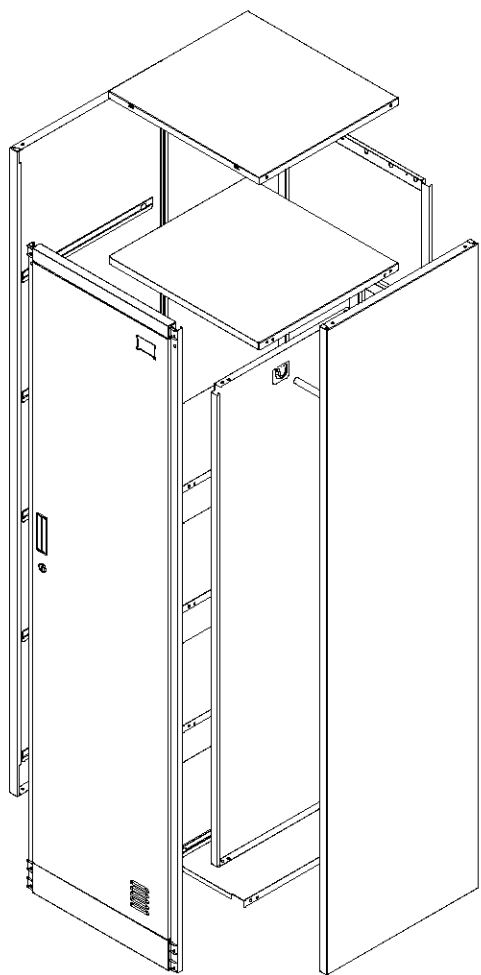
Small Shelf:3 Pcs

Self-tapping
Screw(5x12):9 Pcs

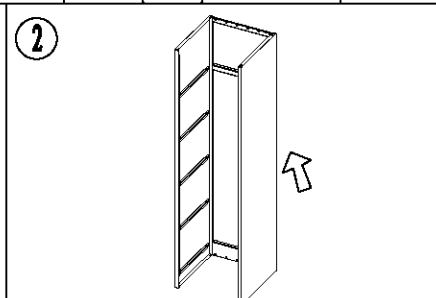
Key:1 Set

Hanging Rod:1 Pc

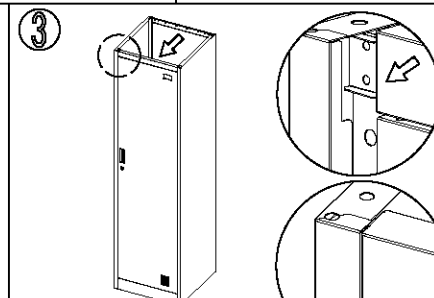
Left Side Plate:1 Pc



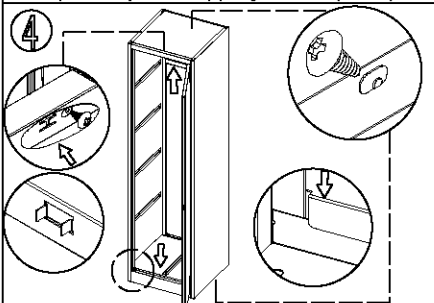
1 Connect the left side plate with back plate by self-tapping screws(5x12).



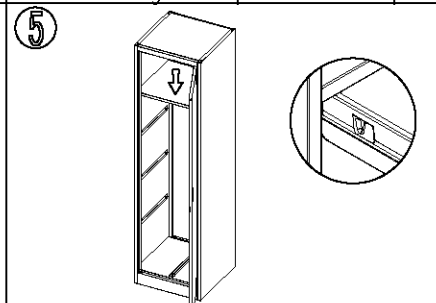
2 Connect the right side plate with back plate.



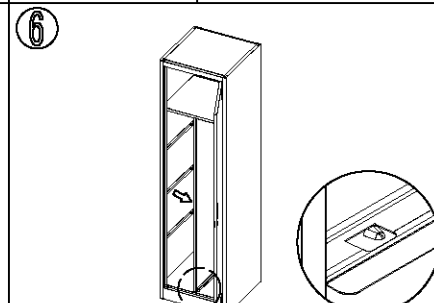
3 Fix the door frame onto both of the side plates.



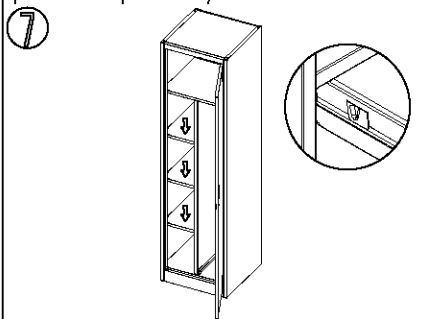
4 Install the top and bottom plates respectively.



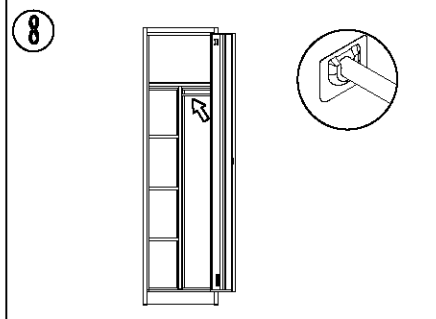
5 Install the big shelf.



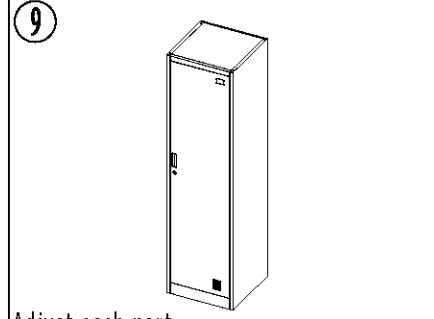
6 Install the division plates as shown in the picture.



7 Install the small shelves.



8 Install the hanging rod.



9 Adjust each part till fit well after installation.