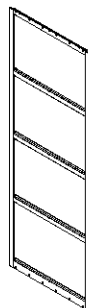


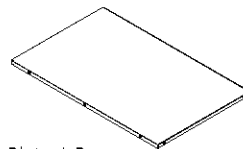
Left Side Plate:1 Pc

Right Side Plate:1 Pc

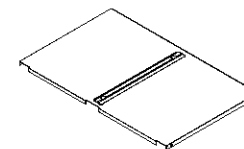
Door Frame:1 Pc



Back Plate:1 Pc



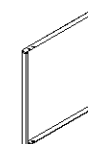
Top Plate:1 Pc



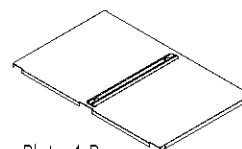
Middle Plate:3 Pcs



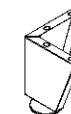
Upper Division Plate(Small):1 Pc



Self-tapping Screw(5x12): 28 Pcs



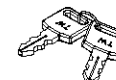
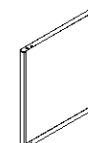
Bottom Plate:1 Pc



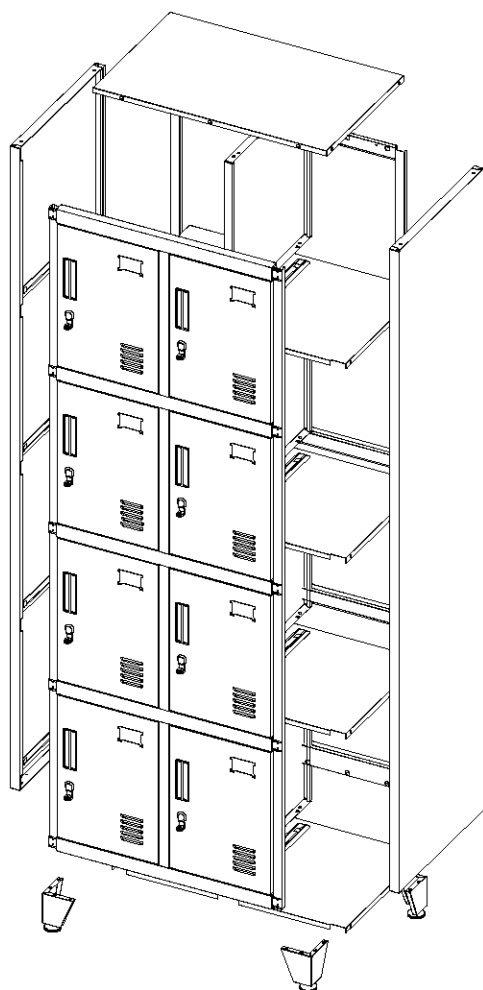
Standing Feet:4 Pcs



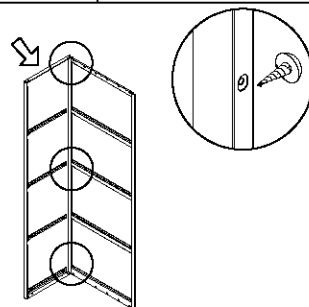
Lower Division Plate(Big):3 Pcs



Key:8 Sets

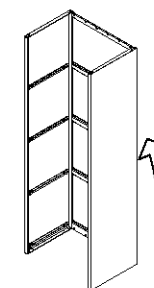


①



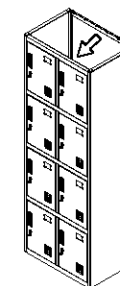
Connect the left side plate with back plate by self-tapping screws(5x12).

②



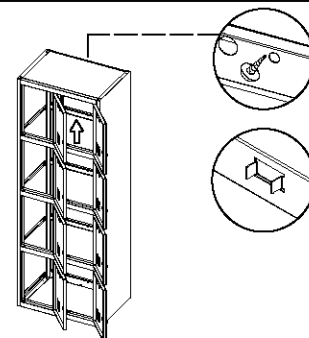
Connect the right side plate with back plate.

③



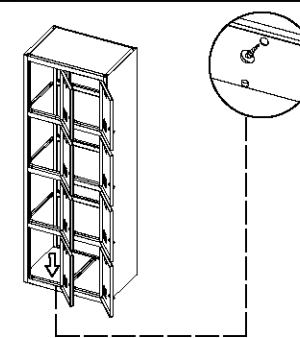
Fix the door frame onto both of the side plates.

④



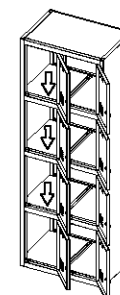
Install the top plate and fix it with screws(5x12).

⑤



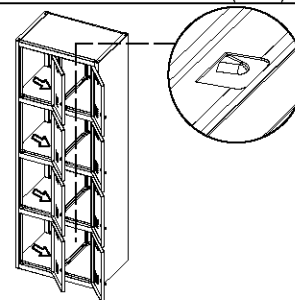
Install the bottom plate and fix it with screws(5x12).

⑥



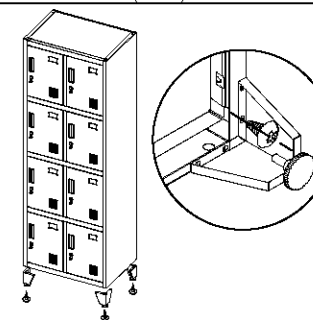
Install the middle plates.

⑦



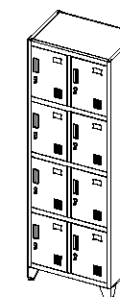
Install the division plates.
(Pay attention to the difference of upper and lower ones, the upper one is small and lower one is big.)

⑧



Install the standing feet with screws(5x12).

⑨



Adjust each part till fit well after installation.