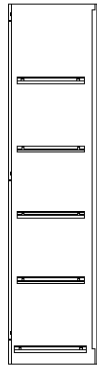
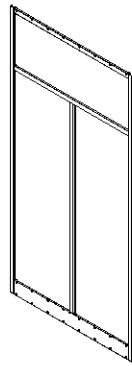


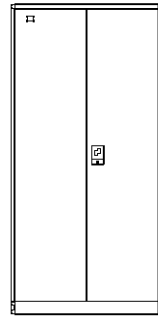
Left Side Plate: 1 Pc



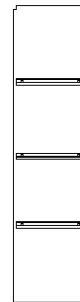
Right Side Plate: 1 Pc



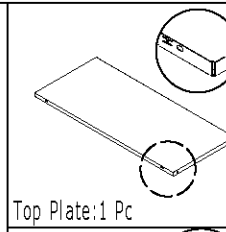
Back Plate: 1 Pc



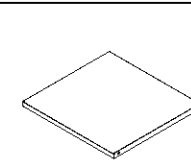
Door Frame: 1 Pc



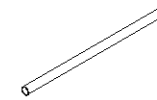
Division Plate: 1 Pc



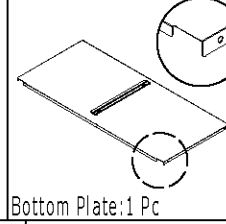
Top Plate: 1 Pc



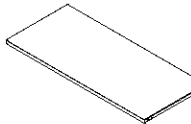
Small Shelf: 3 Pcs



Hanging Rod: 1 Pc



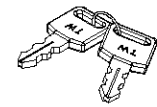
Bottom Plate: 1 Pc



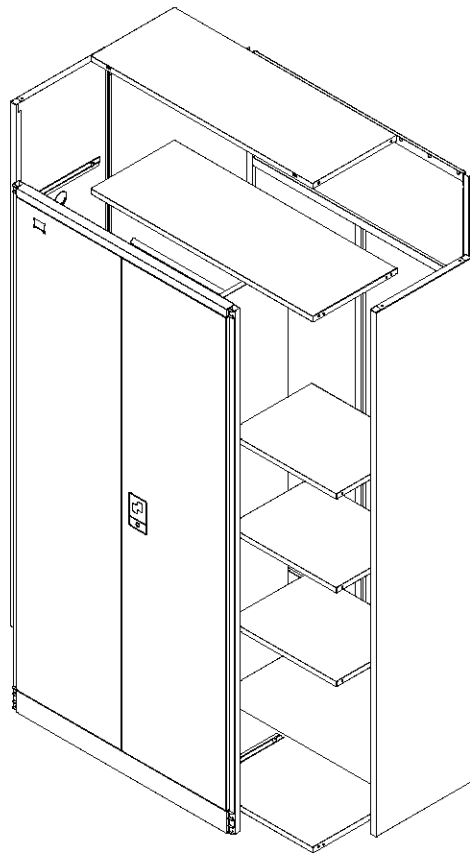
Big Shelf: 1 Pc



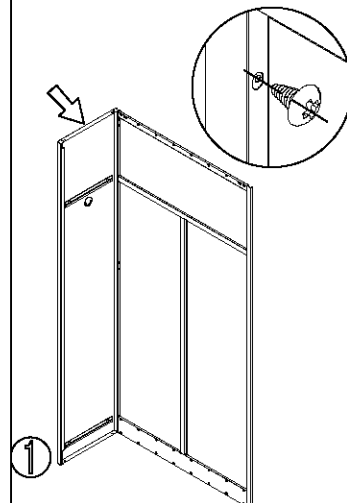
Self-tapping Screw
(5x12): 12 Pcs



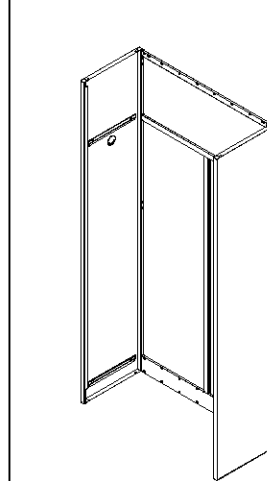
Key: 1 Set



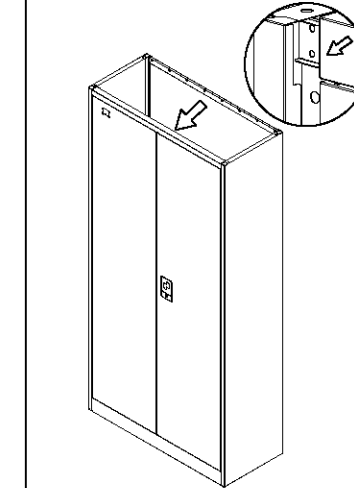
www.hefeng-furniture.com



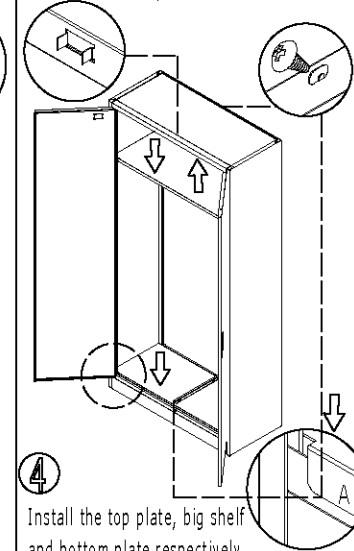
① Connect the left side plate with back plate by self-tapping screws (5x12).



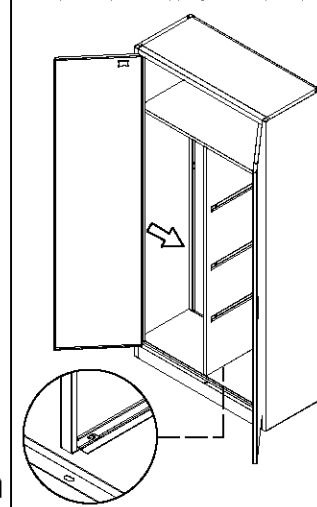
② Connect the right side plate with back plate.



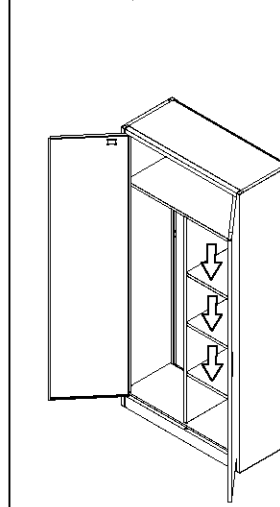
③ Fix the door frame onto both of the side plates.



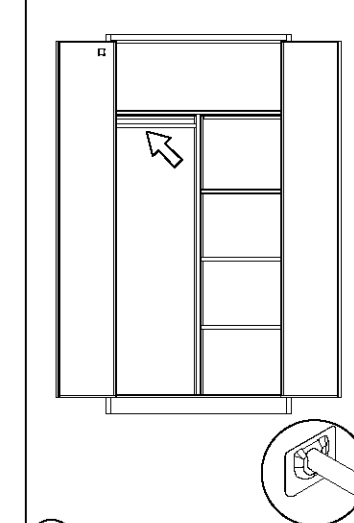
④ Install the top plate, big shelf and bottom plate respectively.



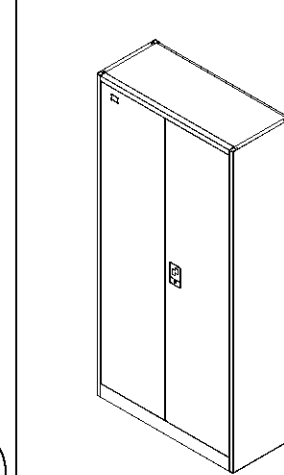
⑤ Install the division plate.



⑥ Install the small shelves.



⑦ Install the hanging rod.



⑧ Adjust each part till fit well after installation.