
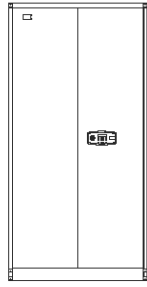
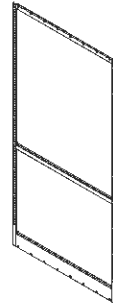
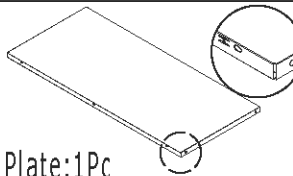
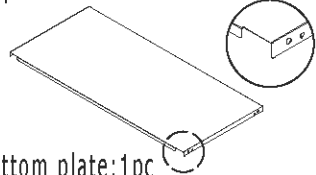
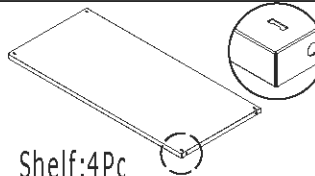
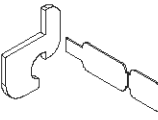




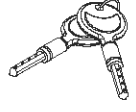
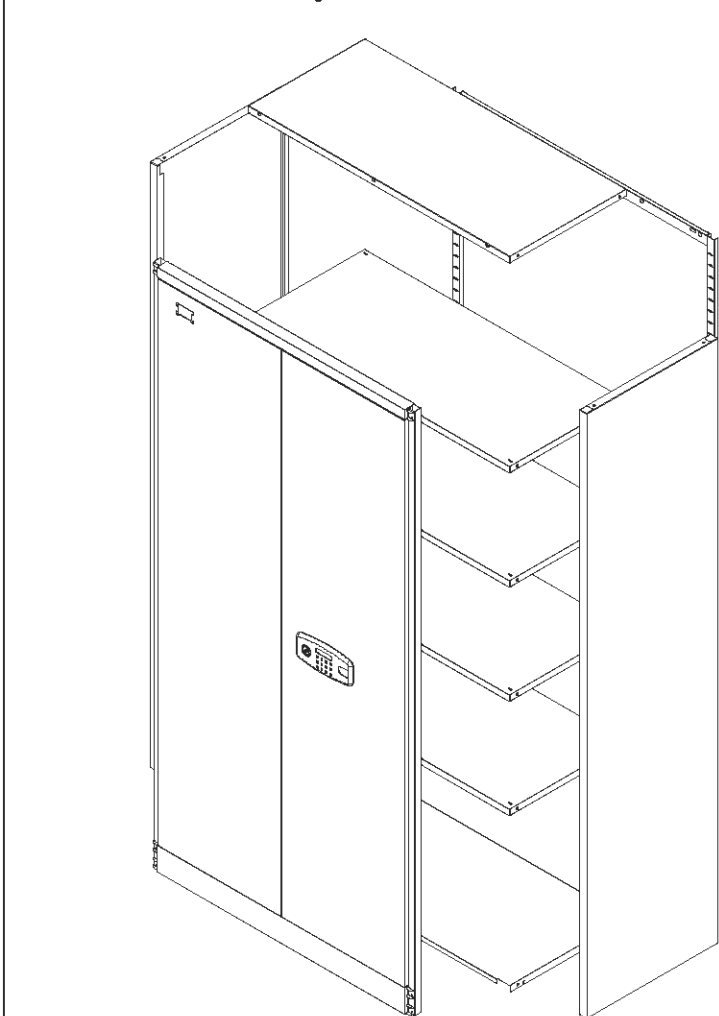
 <p>Left Side:1Pc</p>	 <p>Right Side:1Pc</p>	 <p>Door Frame:1Pc</p>	 <p>Back Plate:1Pc</p>	 <p>Top Plate:1Pc</p>  <p>Bottom plate:1pc</p>	 <p>Shelf:4Pc</p>  <p>Shelf Holder: 16pcs</p>	 <p>Electronic Code Operating Manual:1pc</p>	 <p>Self-tapping Screw(5x12):12Pcs</p>  <p>Emergency Power:1pc</p>	 <p>Key:1 Set</p>  <p>Key for Electronic Lock:1pc</p>
---	--	---	---	---	--	---	---	--



①

Bolt the left side and back plate with self-tapping screws(5x12)

②

Bolt the right plate and back plate in the same way as the first step

③

Fix the door frame onto both of the side plates

④

Install the top and bottom plate respectively

⑤

Install the shelves.

⑥

Adjust each parts till fit well after installation