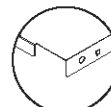
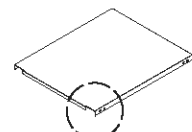


Self-tapping
Screw(5x12):10 Pcs

Top Plate:1 Pc

Shelf:1 Pc



Key:1 Set

Bottom Plate:1 Pc

Hanging Rod:1 Pc

Left Side Plate:1 Pc

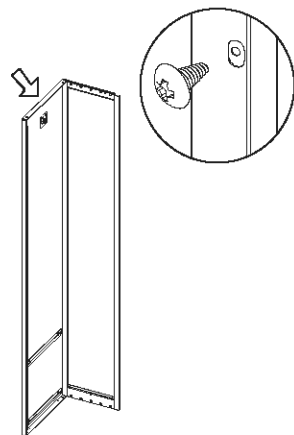
Right Side Plate:1 Pc

Door Frame:1 Pc

Back Plate:1 Pc

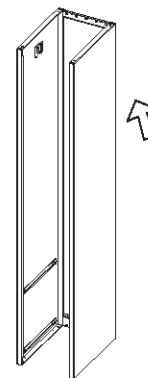


①



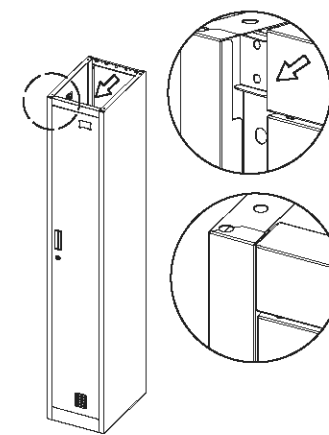
Connect the left side plate with back plate by self-tapping screws(5x12).

②



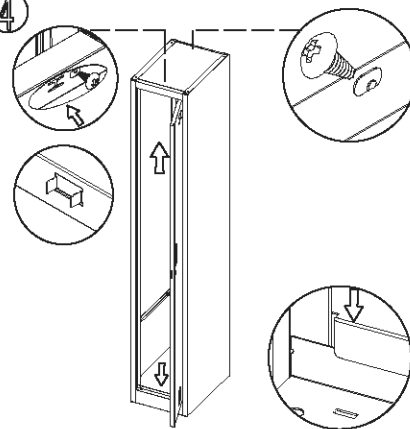
Connect the right side plate with back plate.

③



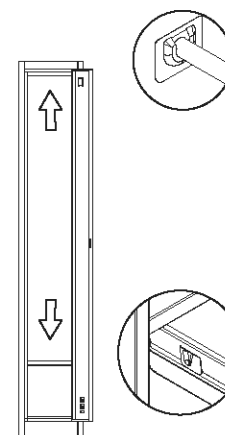
Fix the door frame onto both of the side plates.

④



Install the top and bottom plates respectively.

⑤



Install the shelf and hanging rod.

⑥



Adjust each part till fit well after installation.