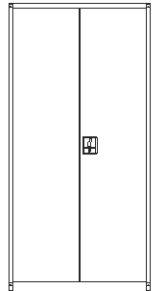


Left Side:1Pc



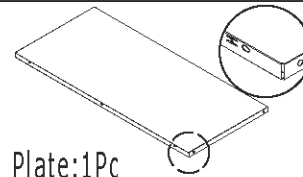
Right Side:1Pc



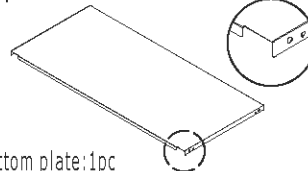
Door Frame:1Pc



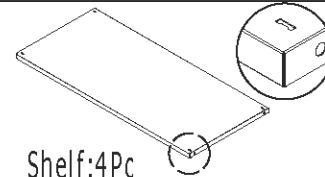
Back Plate:1Pc



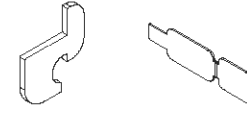
Top Plate:1Pc



Bottom plate:1pc



Shelf:4Pc

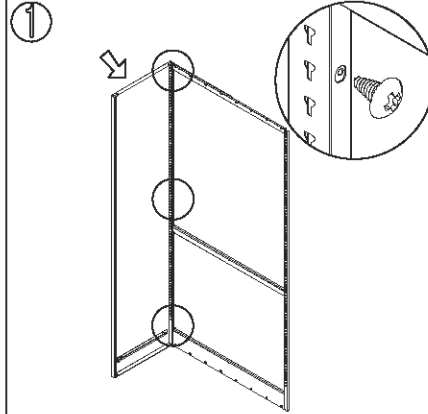
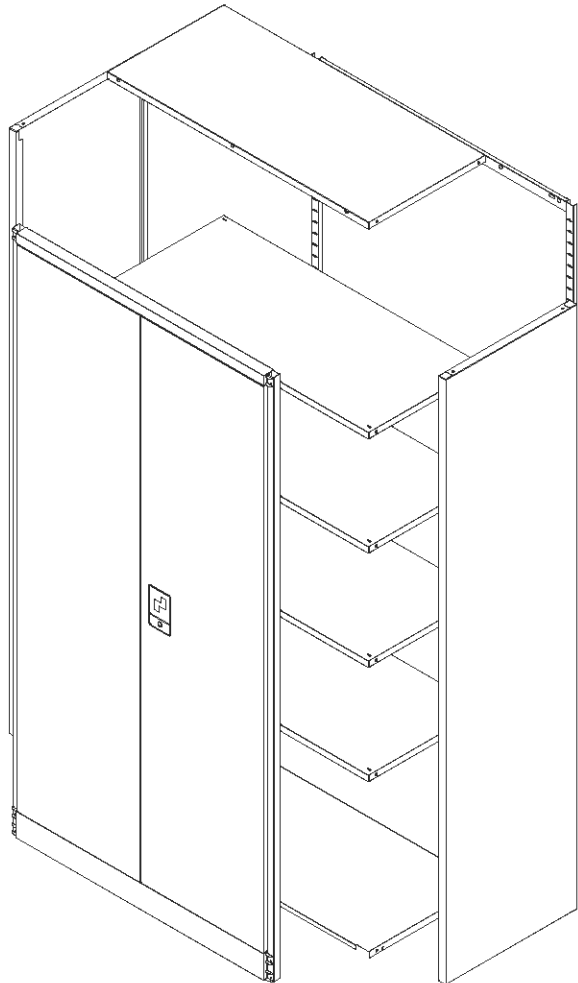


Shelf Holder:16pcs

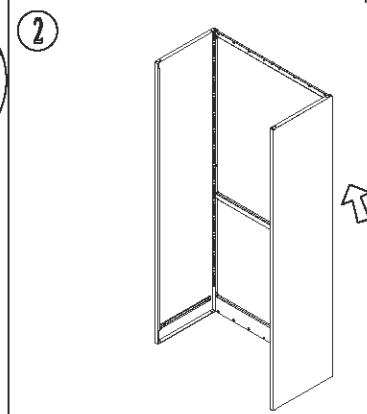
Self-tapping
Screw(5x12):12Pcs



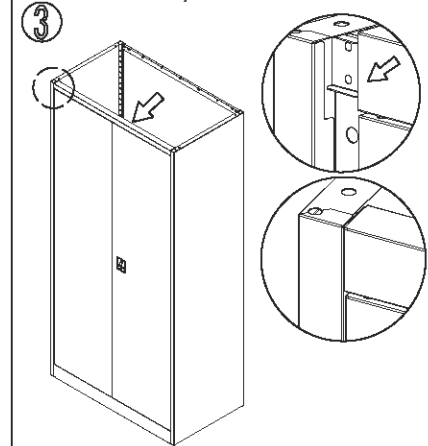
Key:1 Set



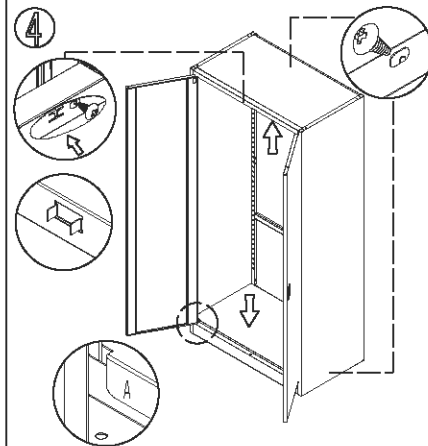
1 Bolt the left side and back plate with self-tapping screws(5x12)



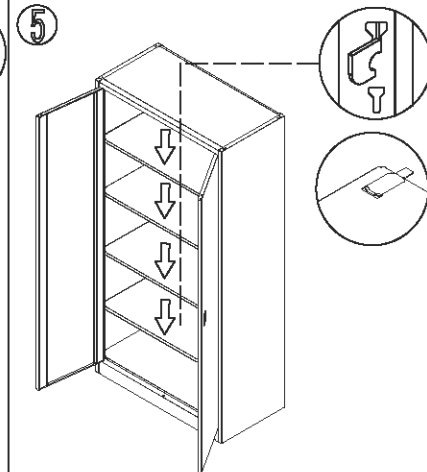
2 Bolt the right plate and back plate in the same way as the first step



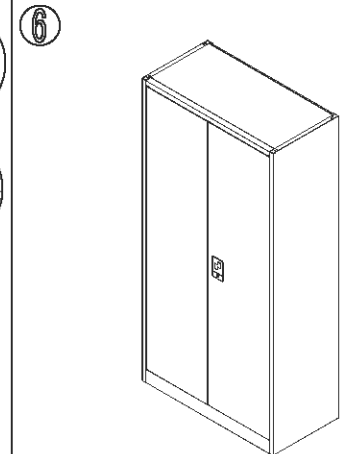
3 Fix the door frame onto both of the side plates



4 Install the top and bottom plate respectively



5 Install the shelves.



6 Adjust each parts till fit well after installation