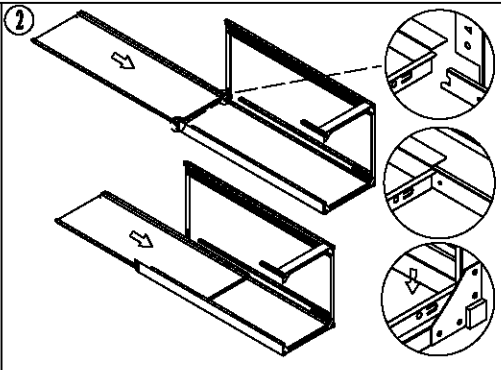
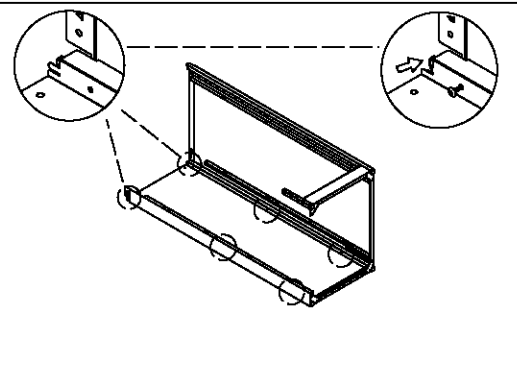


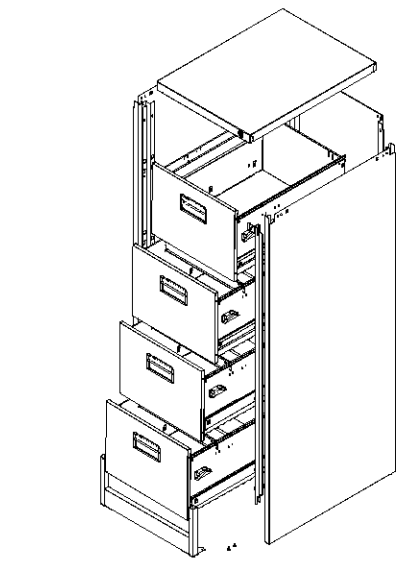
1 Connect the front and back insert with left and right side plates by screws.



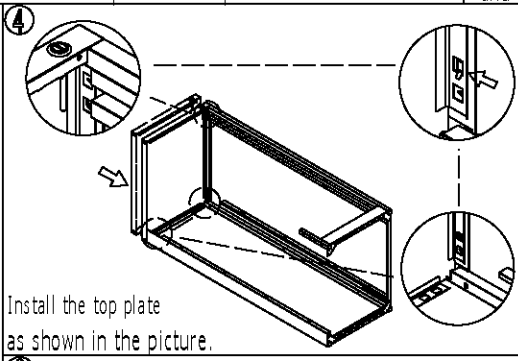
2 Install the back plate from top to bottom.



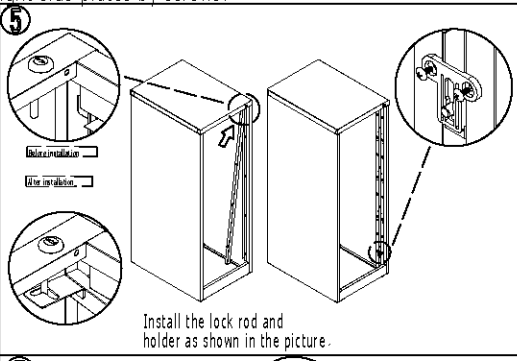
3 Connect the back plate with left and right side plates by screws.



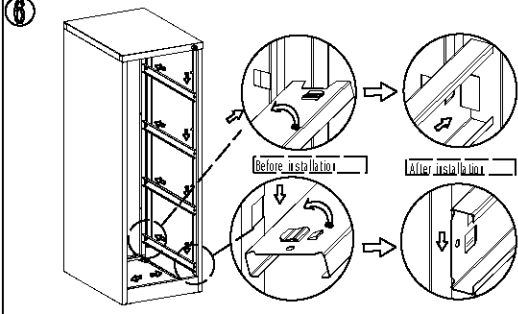
www.hefeng-furniture.com



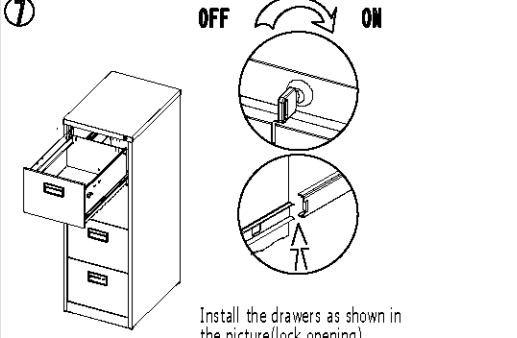
4 Install the top plate as shown in the picture.



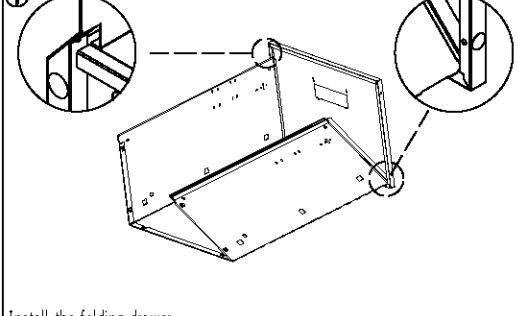
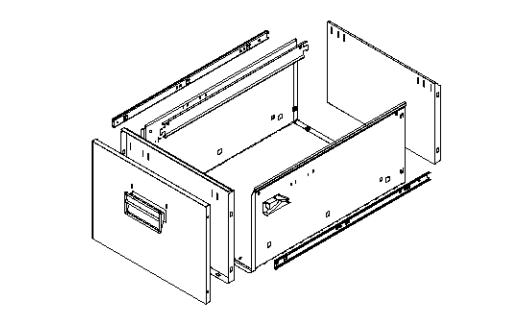
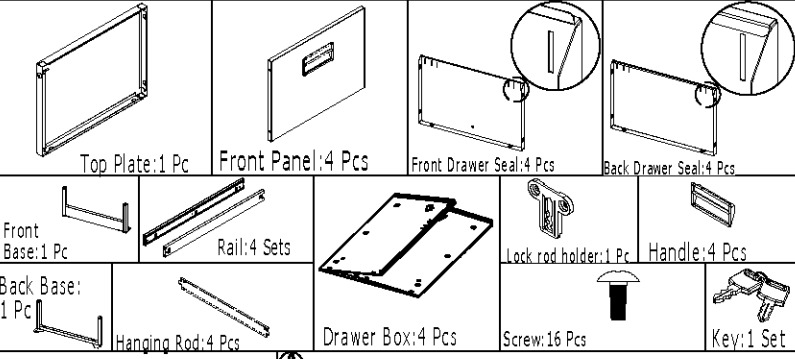
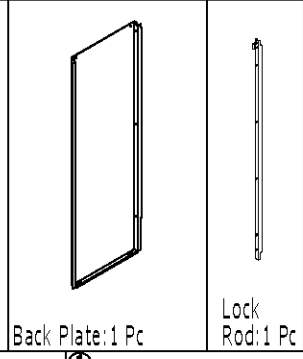
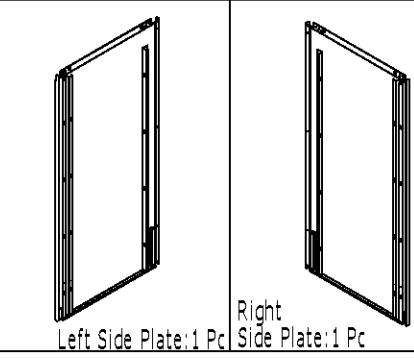
5 Install the lock rod and holder as shown in the picture.



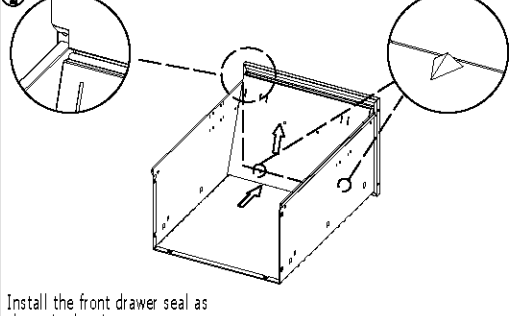
6 Install the outer rails.



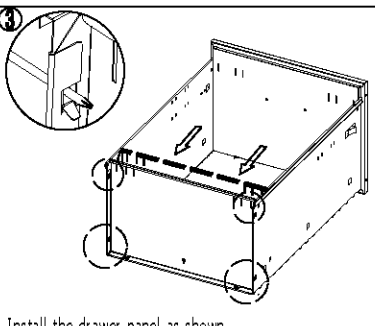
7 Install the drawers as shown in the picture (lock opening).



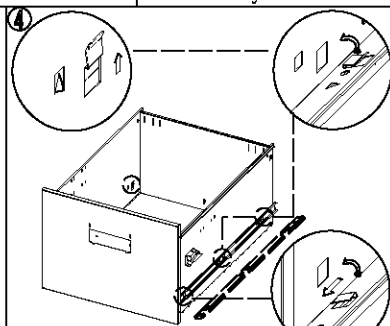
1 Install the folding drawer.



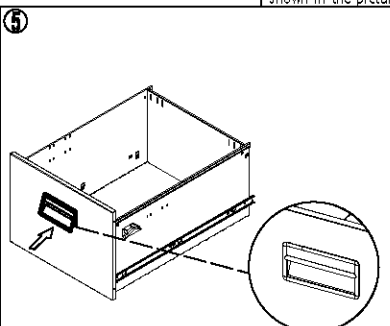
2 Install the front drawer seal as shown in the picture.



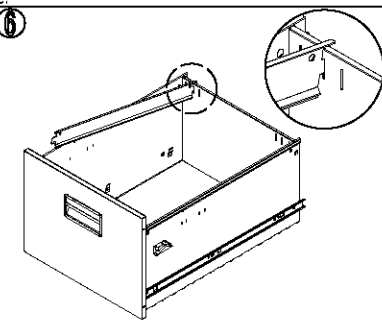
3 Install the drawer panel as shown in the picture.



4 Install the inner rails.



5 Install the handle as shown in the picture.



6 Install the hanging rod as shown in the picture.