

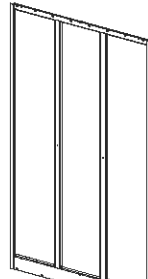
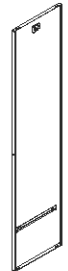
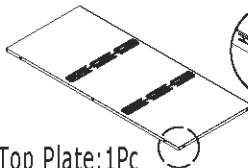

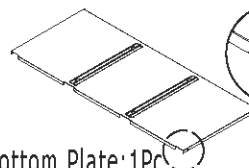

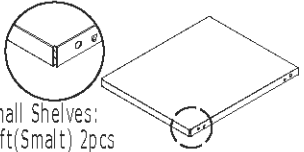

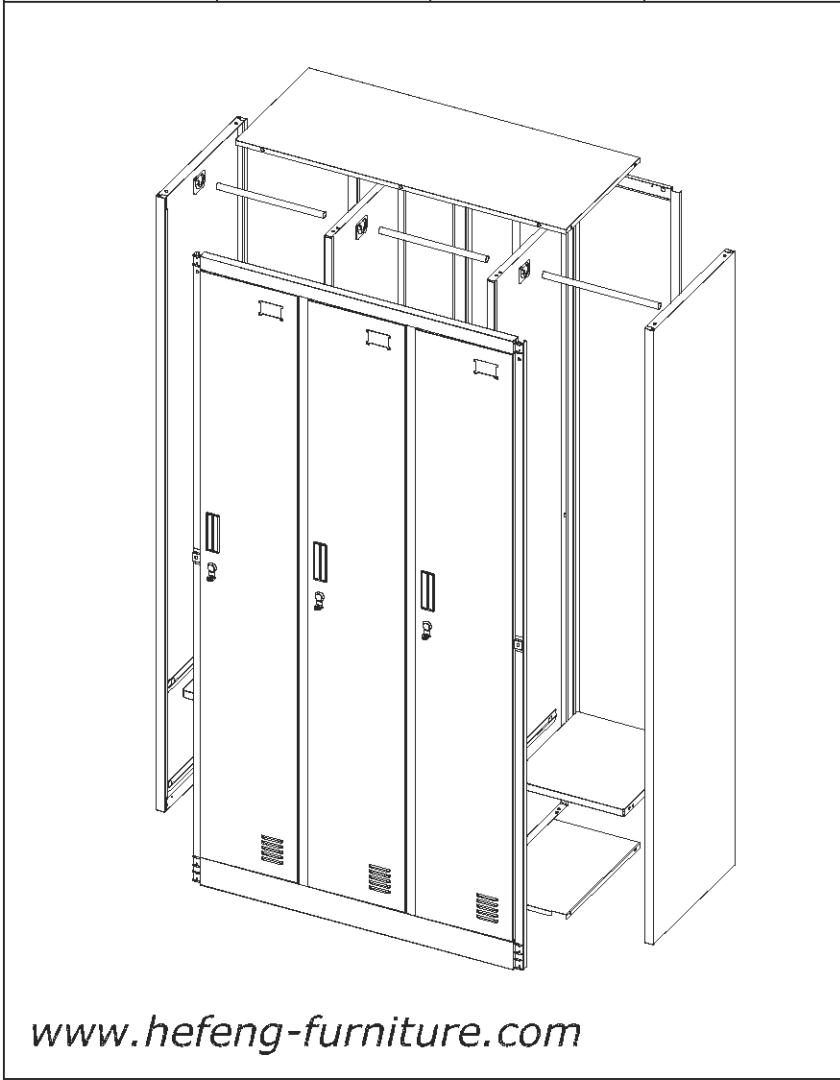
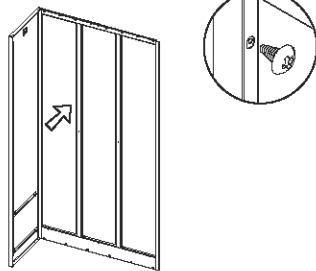
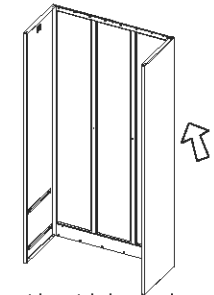
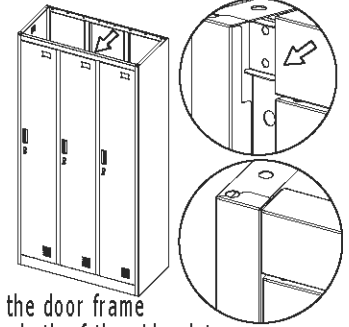
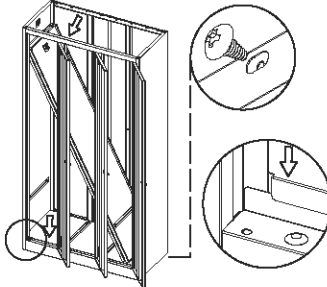
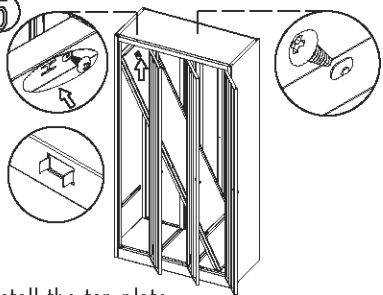
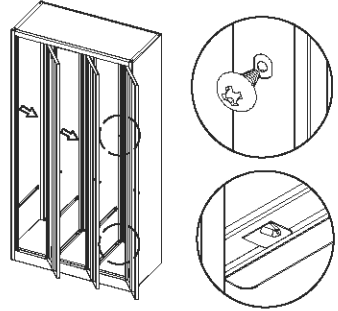
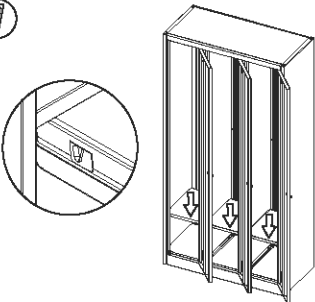
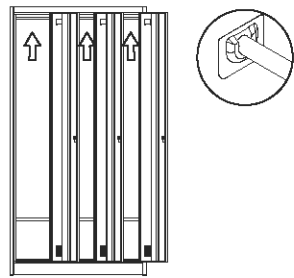
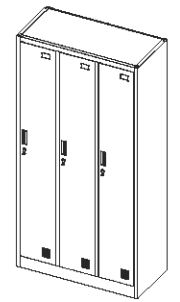
 <p>Left Side: 1Pc</p>	 <p>Right Side: 1Pc</p>	 <p>Door Frame: 1Pc</p>	 <p>Back Plate: 1Pc</p>	 <p>Division Plate: 2Pcs</p>	 <p>Top Plate: 1Pc</p>  <p>Self-tapping Screw(5x12): 16Pcs</p>	 <p>Bottom Plate: 1Pc</p>  <p>Key: 3 Sets</p>	 <p>Small Shelves: Left(Smalt) 2pcs Right(Big) 1pcs</p>  <p>Hanging Rod: Left(Short) 2pc Right(long) 1pc</p>
--	---	---	---	---	---	--	---



<p>①</p>  <p>Bolt the left side and back plate with self-tapping screws(5x12)</p>	<p>②</p>  <p>Bolt the right side with back plate in the same way as the first step</p>	<p>③</p>  <p>Fix the door frame onto both of the side plates</p>
<p>④</p>  <p>Install the bottom plate, then fix the division plate as the sign</p>	<p>⑤</p>  <p>Install the top plate and fix it with screws(5x12)</p>	<p>⑥</p>  <p>Fix the division plates.</p>
<p>⑦</p>  <p>Fix the small shelves as the sign</p>	<p>⑧</p>  <p>Install the hanging rod.</p>	 <p>Adjust each part till fit well after installation.</p>