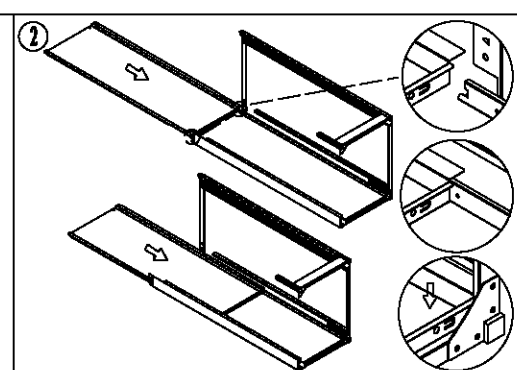
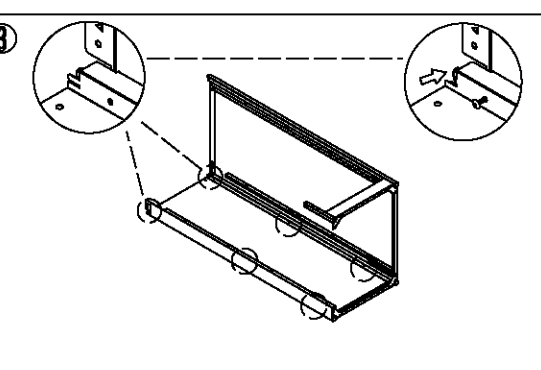


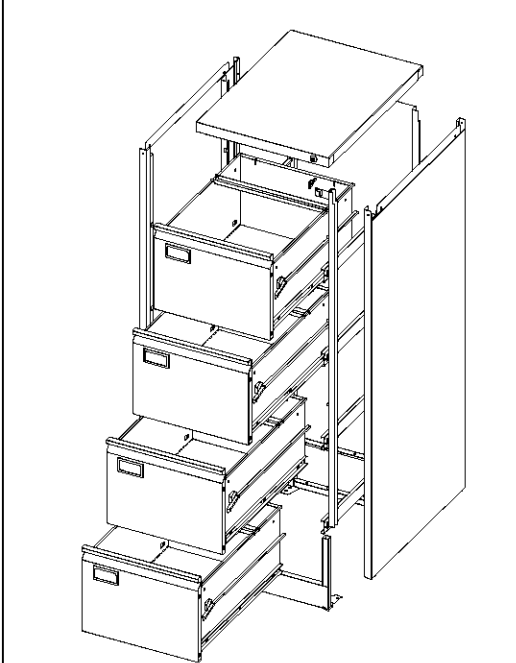
1 Connect the front and back insert with left and right side plates by screws.



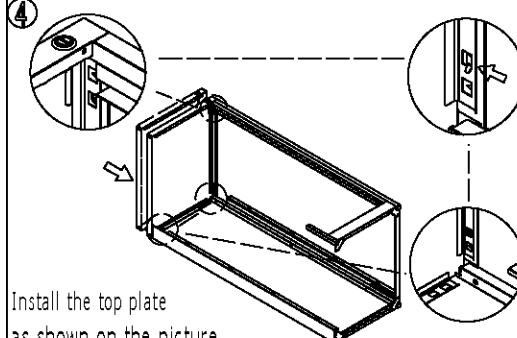
2 Install the back plate from top to bottom.



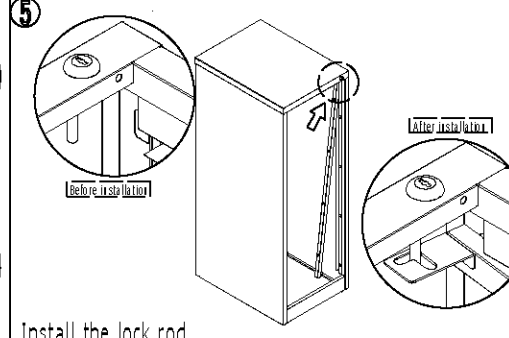
3 Connect the back plate and left and right side plates by screws.



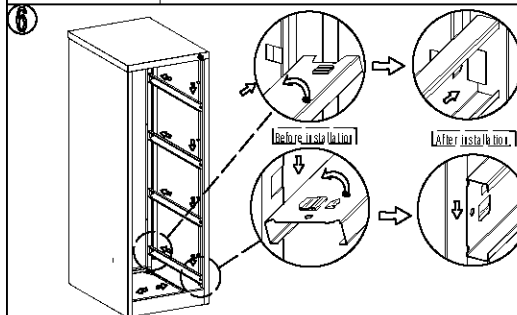
www.hefeng-furniture.com



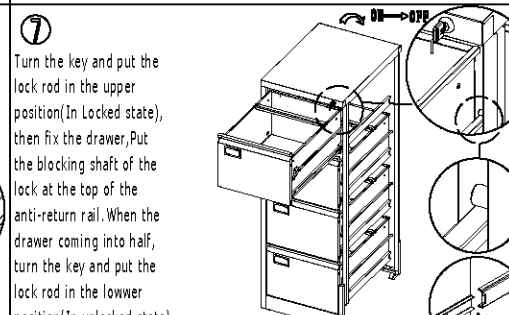
4 Install the top plate as shown on the picture.



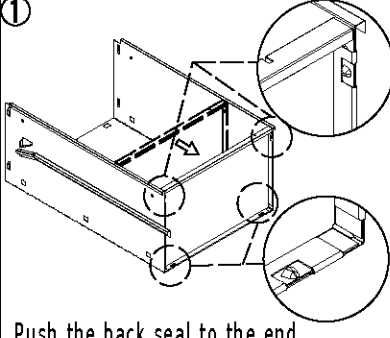
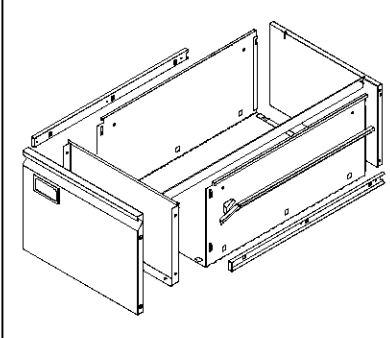
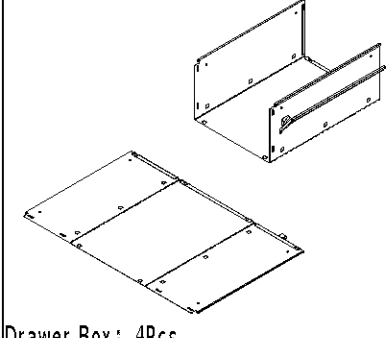
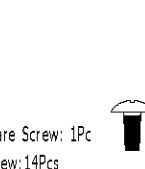
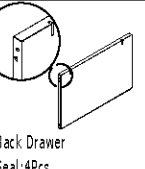
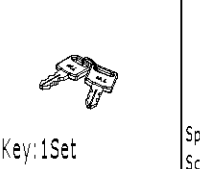
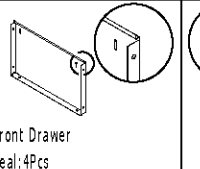
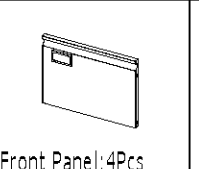
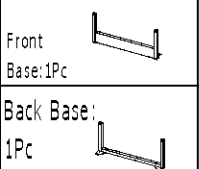
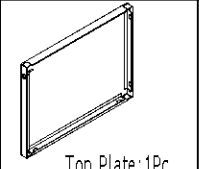
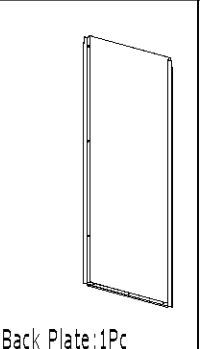
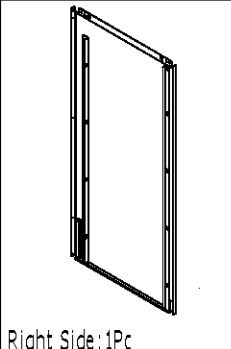
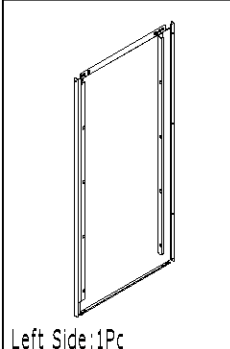
5 Install the lock rod.



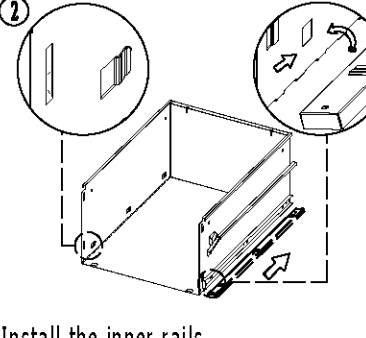
6 Install the outer rails.



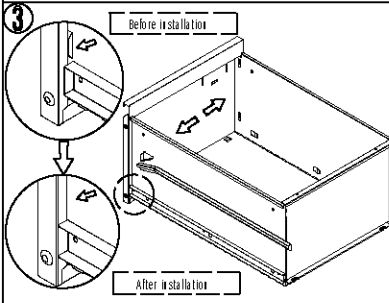
7 Turn the key and put the lock rod in the upper position (In Locked state), then fix the drawer. Put the blocking shaft of the lock at the top of the anti-return rail. When the drawer coming into half, turn the key and put the lock rod in the lower position (In unlocked state). Fix other drawers one by one.



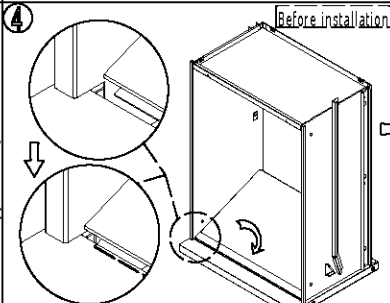
1 Push the back seal to the end.



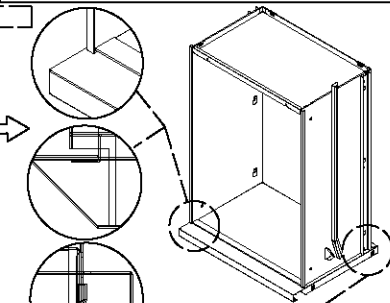
2 Install the inner rails.



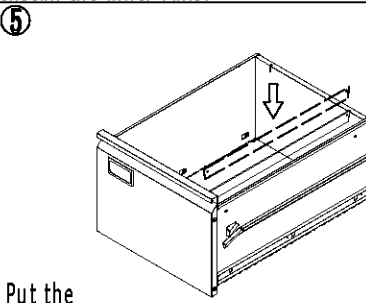
3 Install the front panel.



4 Install the front drawer seal.



5 Put the hanging rods onto the drawers.



6 Put the hanging rods onto the drawers.