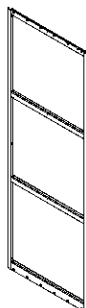


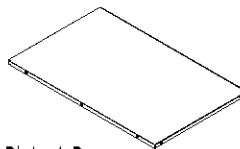
Left Side Plate:1 Pc

Right Side Plate:1 Pc

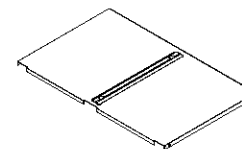
Door Frame:1 Pc



Back Plate:1 Pc



Top Plate:1 Pc



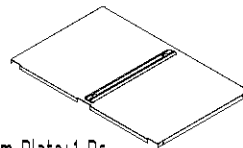
Middle Plate:2 Pcs



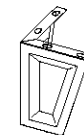
Upper Division Plate(Small):1 Pc



Self-tapping Screw(5x12): 30 Pcs



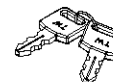
Bottom Plate:1 Pc



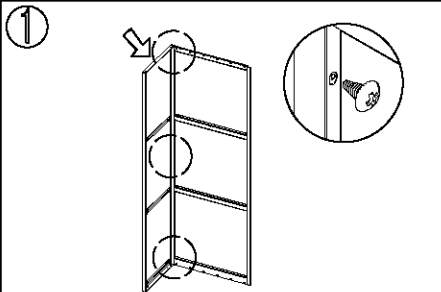
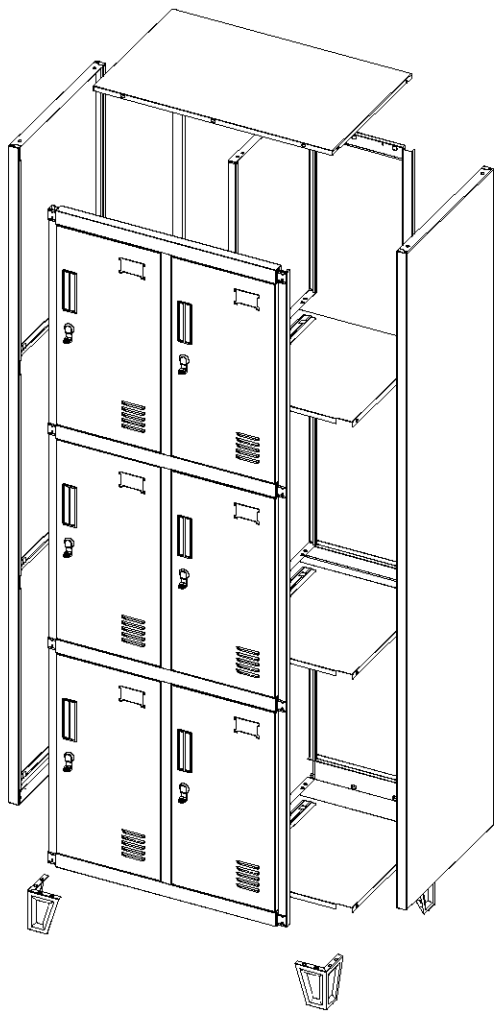
Standing Feet:4 Pcs



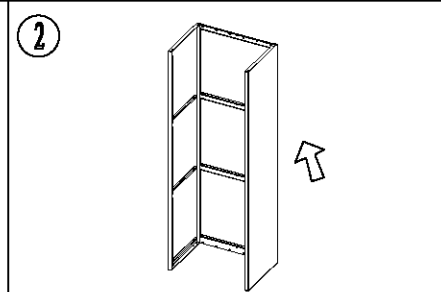
Lower Division Plate(Big):2 Pcs



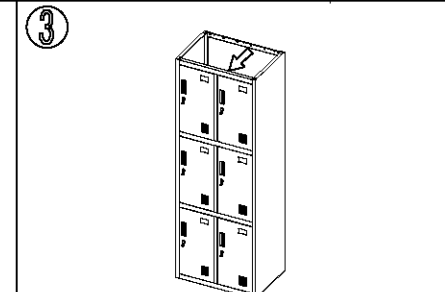
Key:6 Sets



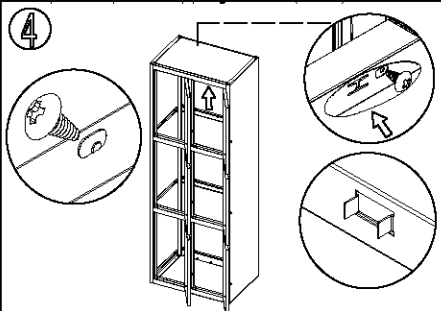
1 Connect the left side plate with back plate by self-tapping screws(5x12).



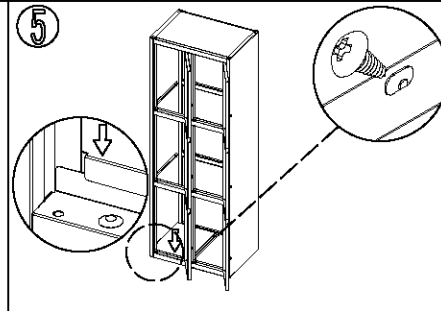
2 Connect the right side plate with back plate.



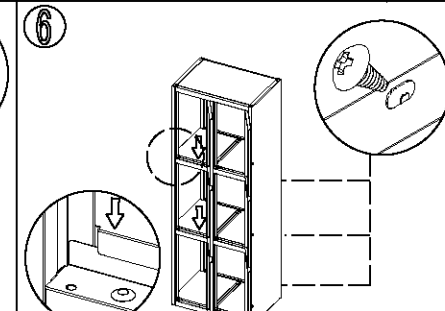
3 Fix the door frame onto both of the side plates.



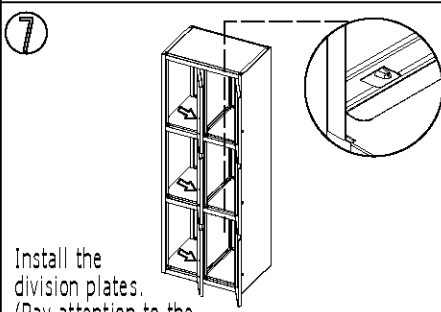
4 Install the top plate and fix it with screws(5x12).



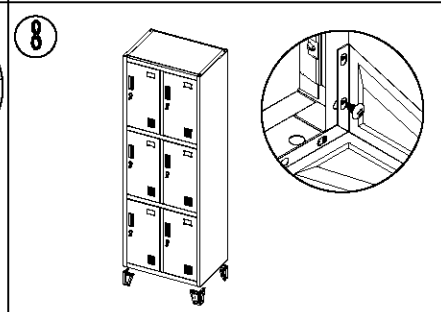
5 Install the bottom plate and fix it with screws(5x12).



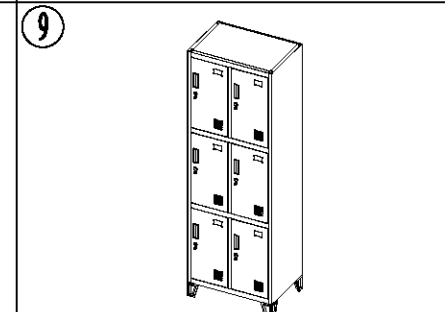
6 Install the middle plates.



7 Install the division plates. (Pay attention to the difference of upper and lower ones, the upper one is small and lower one is big.)



8 Install the standing feet with screws(5x12).



9 Adjust each part till fit well after installation.