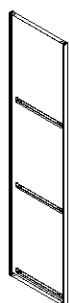
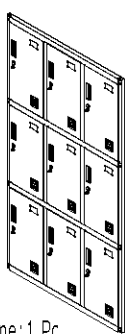




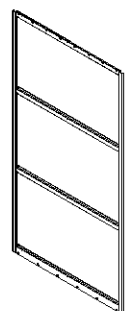
Left Side Plate:1 Pc



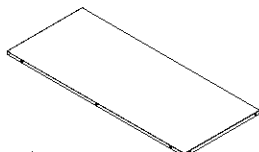
Right Side Plate:1 Pc



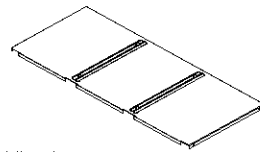
Door Frame:1 Pc



Back Plate:1 Pc



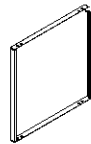
Top Plate:1 Pc



Middle Plate:2 Pcs



Upper Division Plate(Small):2 Pcs



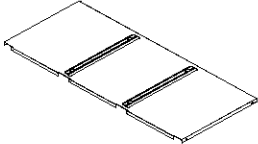
Lower Division Plate(Big):4 Pcs



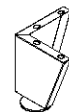
Self-tapping Screw(5x12): 31 Pcs



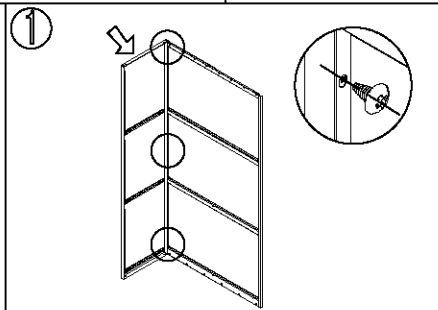
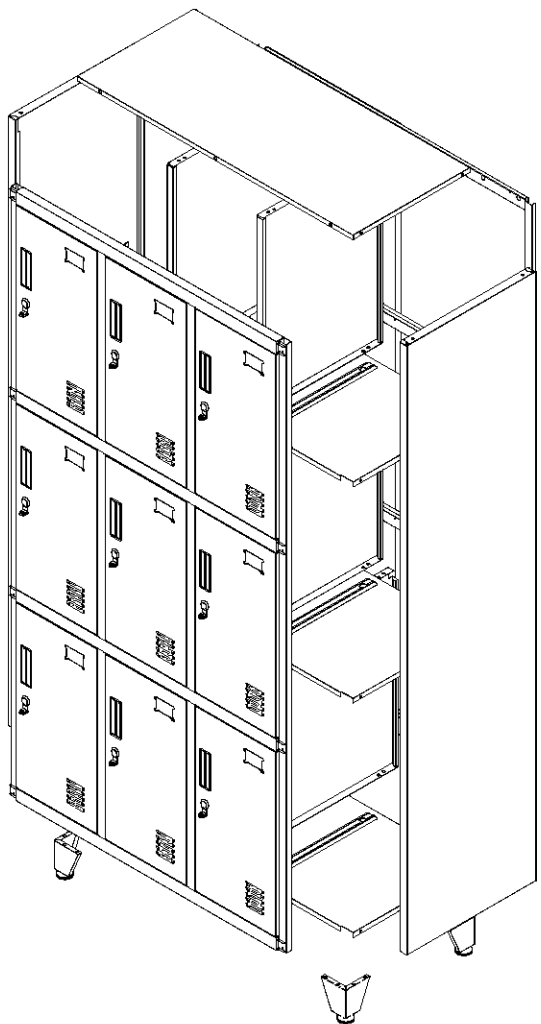
Key:9 Sets



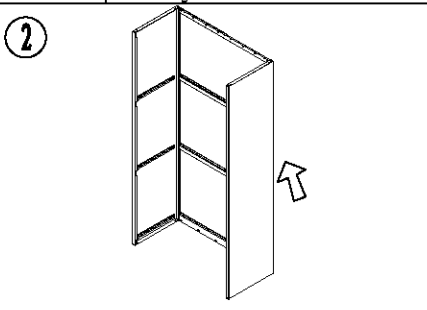
Bottom Plate:1 Pc



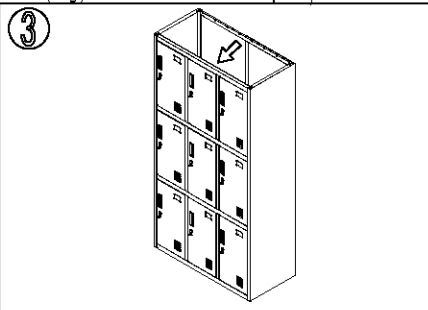
Standing Feet:4 Pcs



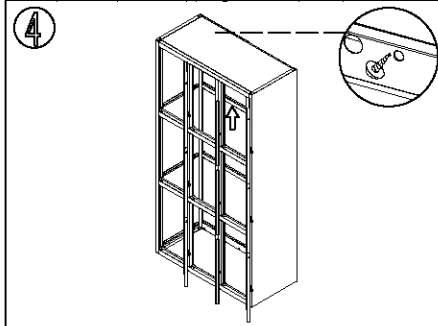
1 Connect the left side plate with back plate by self-tapping screws(5x12).



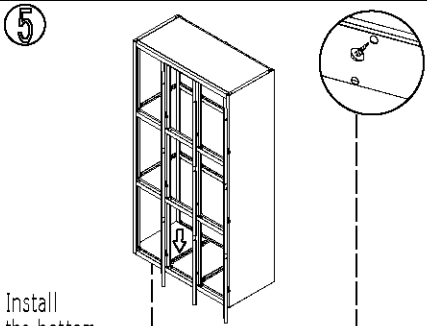
2 Connect the right side plate with back plate.



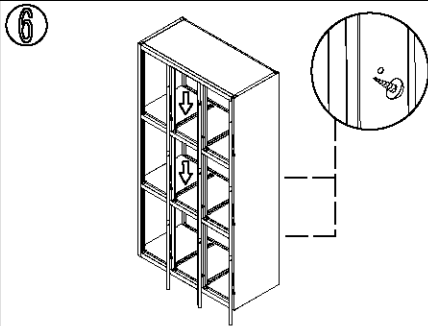
3 Fix the door frame onto both of the side plates.



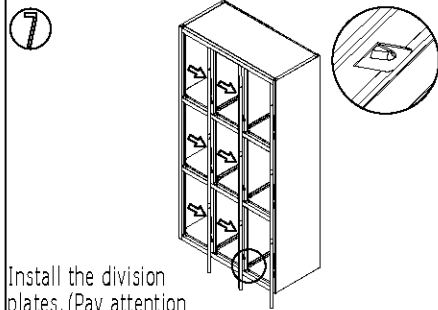
4 Install the top plate and fix it with screws(5x12).



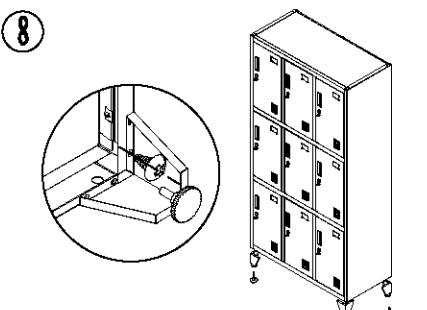
5 Install the bottom plate and fix it with screws(5x12).



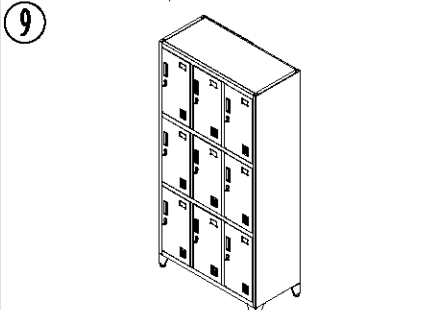
6 Install the middle plates.



7 Install the division plates. (Pay attention to the difference of upper and lower ones, the upper one is small and lower one is big.)



8 Install the standing feet with screws(5x12).



9 Adjust each part till fit well after installation.