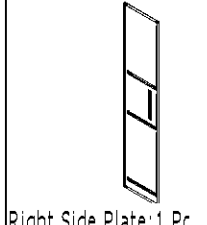
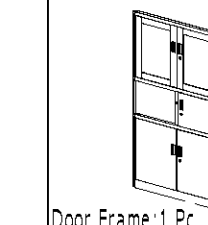
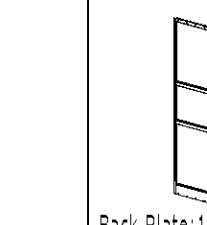
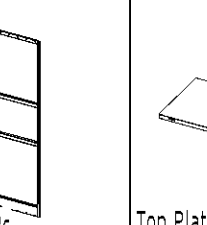
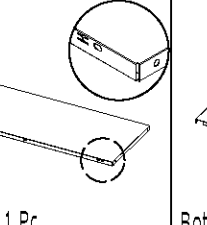
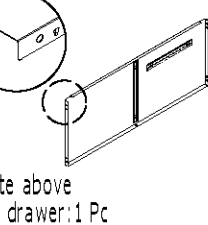
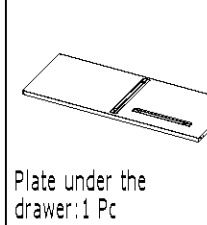
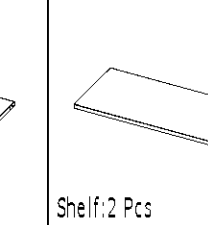
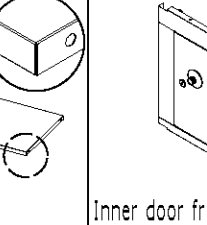
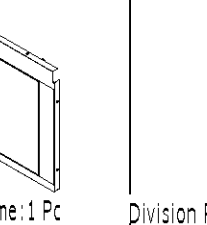
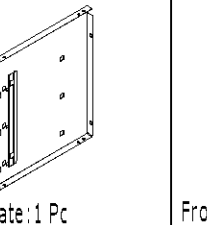
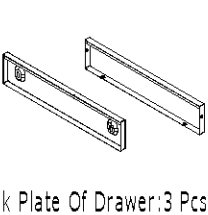
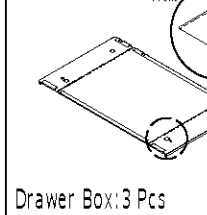
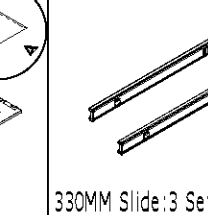
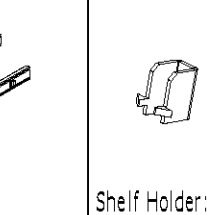
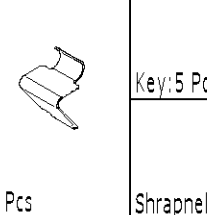
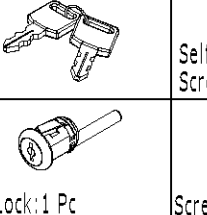
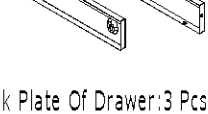
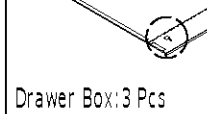
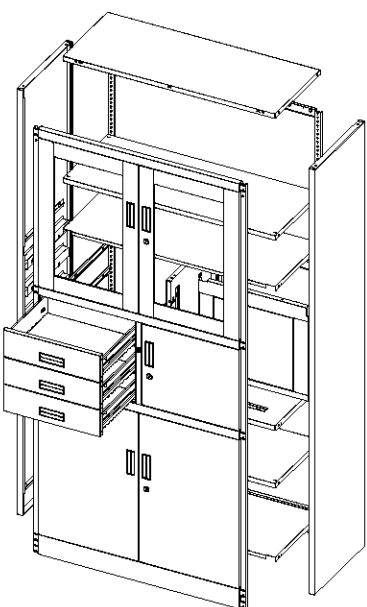
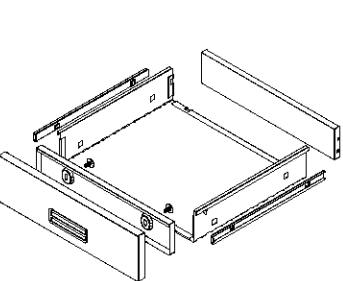
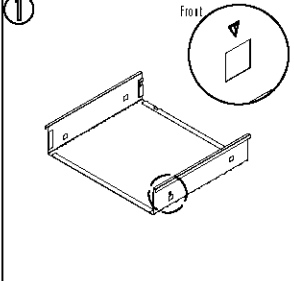
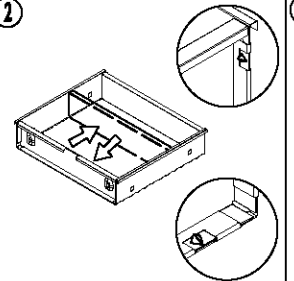
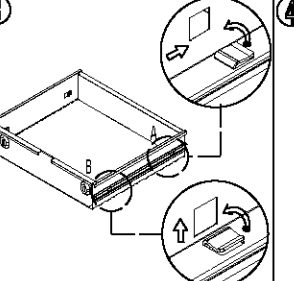
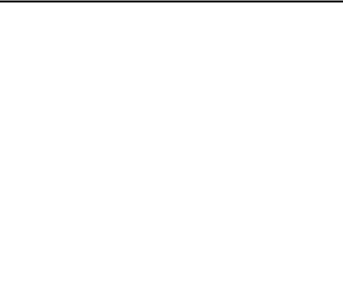
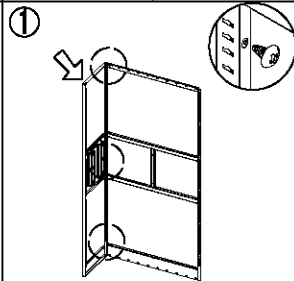
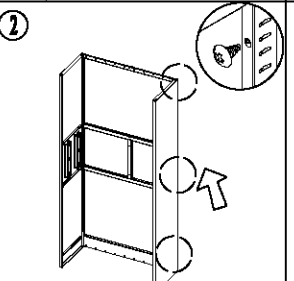
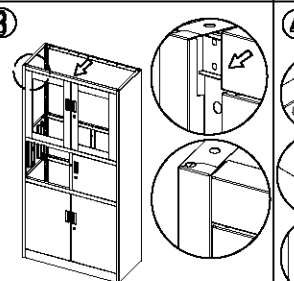
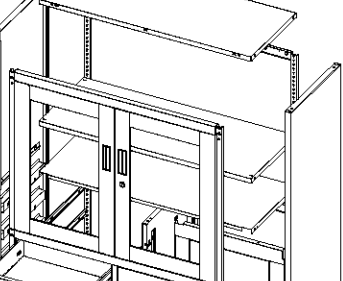
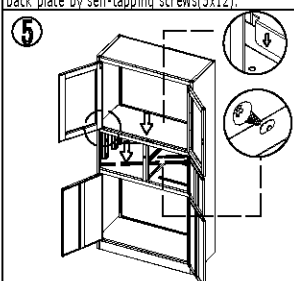
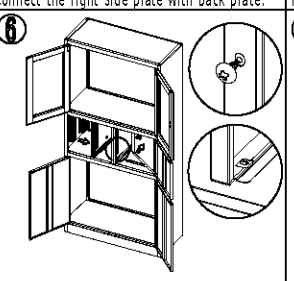
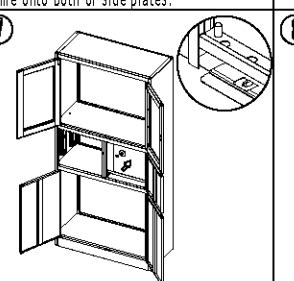
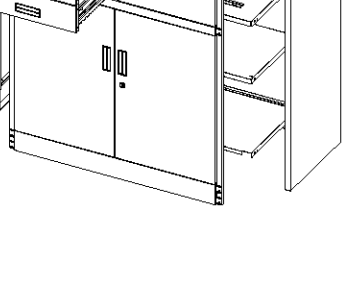
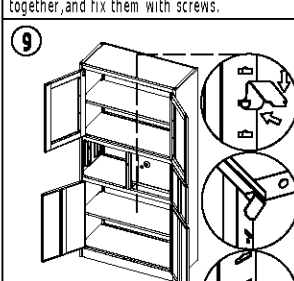
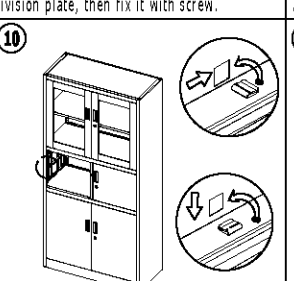
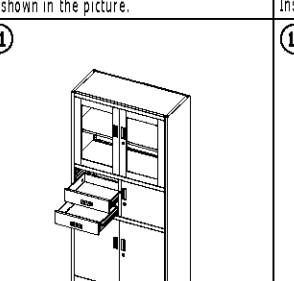
 Left Side Plate:1 Pc	 Right Side Plate:1 Pc	 Door Frame:1 Pc	 Back Plate:1 Pc	 Top Plate:1 Pc	 Bottom Plate:1 Pc
 Plate above the drawer:1 Pc	 Plate under the drawer:1 Pc	 Shelf:2 Pcs	 Inner door frame:1 Pc	 Division Plate:1 Pc	 Front Panel:3 Pcs
 Back Plate Of Drawer:3 Pcs	 Drawer Box:3 Pcs	 330MM Slide:3 Sets	 Shelf Holder:8 Pcs	 Key:5 Pcs	 Self-tapping Screw(5x12):18 Pcs
 Shrapnel Lock:1 Pc	 Screw(6x20):6 Pcs				

	 ① Bend the drawer box as shown in the picture.	 ② Install the front and back plate of drawer.	 ③ Install the inner slide as shown in the picture.	 ④ Install the drawer and front panel.
	 ⑤ Connect the left side plate with back plate by self-tapping screws(5x12).	 ⑥ Connect the right side plate with back plate.	 ⑦ Fix the door frame onto both of side plates.	 ⑧ Install the top and bottom plates respectively.
	 ⑨ Install the plates above and under the drawer together, and fix them with screws.	 ⑩ Put the inner door frame, and install the division plate, then fix it with screw.	 ⑪ Install the inner door frame as shown in the picture.	 ⑫ Install the lock.
	 ⑬ Install the shelves.	 ⑭ Install the outside rail slide as shown in the picture.	 ⑮ Install the drawers as shown in the picture.	 ⑯ Adjust each part till fit well after installation.