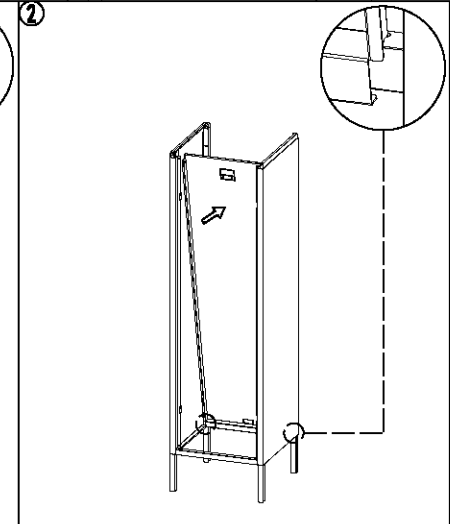
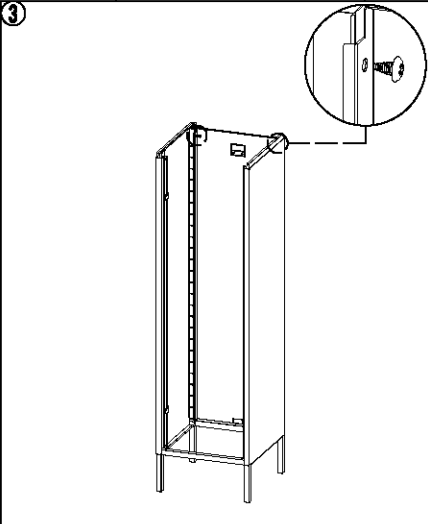


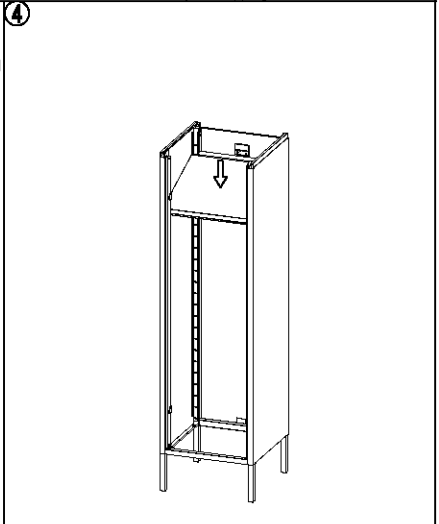
1 Connect the left and right side plates with bottom insert.



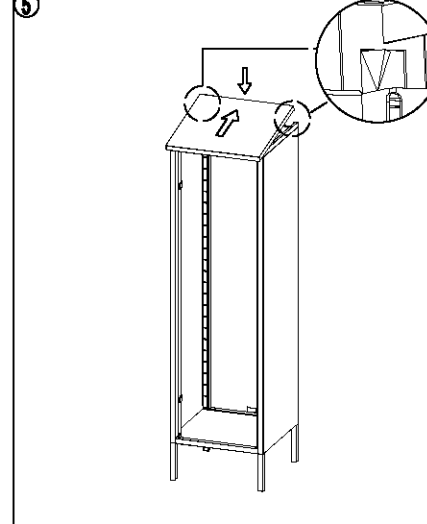
2 Install the back plate from bottom by inclining 70 degrees.



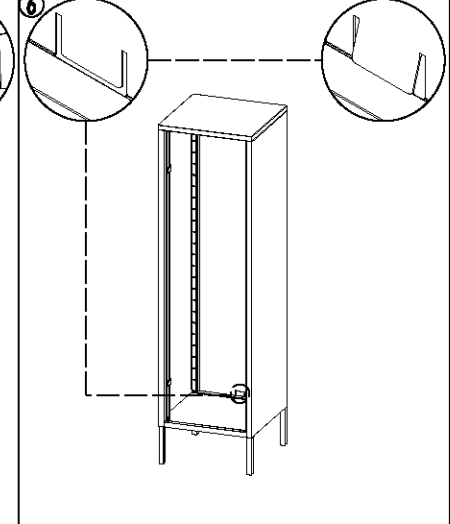
3 Connect the left and right side plates with back plate by self-tapping screws.



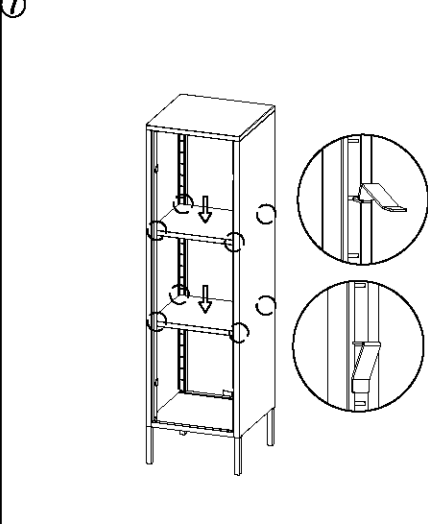
4 Install the bottom plate from the top down by inclining 45 degrees.



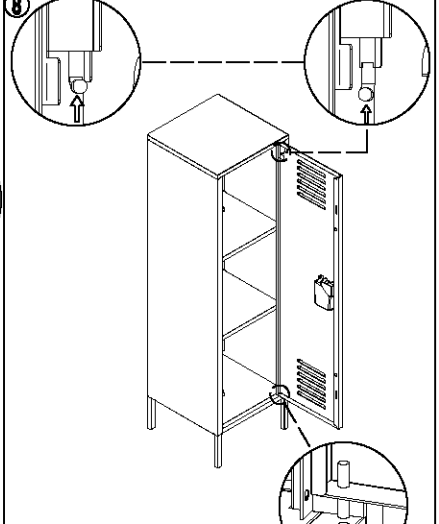
5 Install the top plate from front and back by inclining 30 degrees, press and connect the top plate with side plates.



6 Upward back up plate.



7 Install the shelves.



8 Install the door.