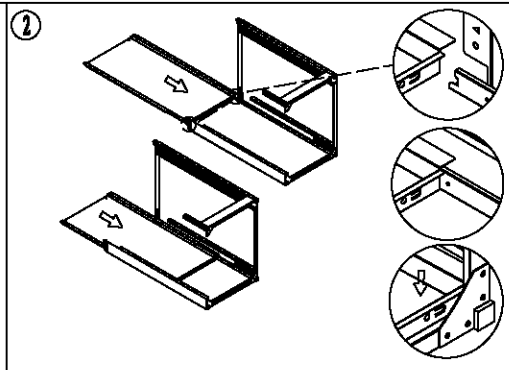
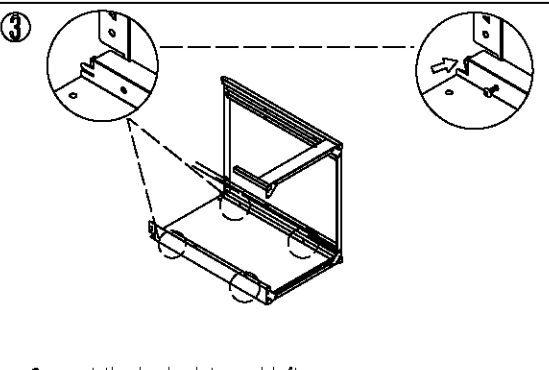


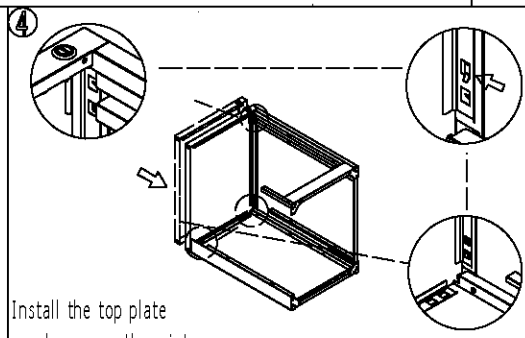
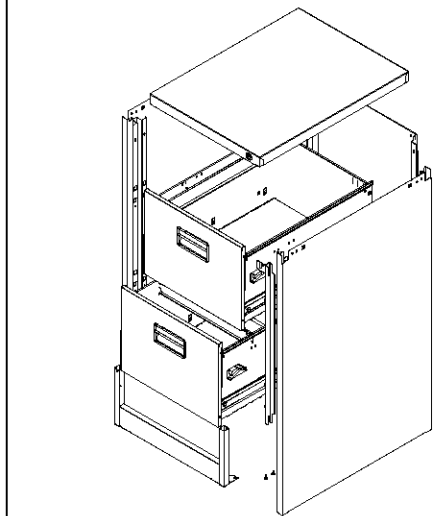
1 Connect the front and back insert with left and right side plates by screws.



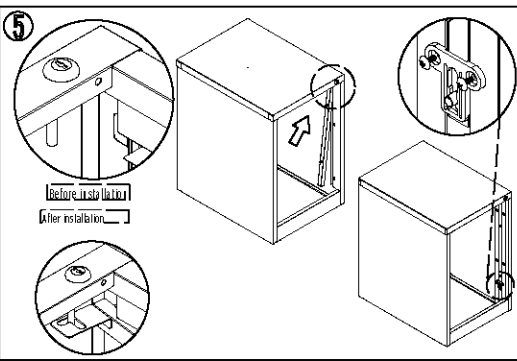
2 Install the back plate from top to bottom.



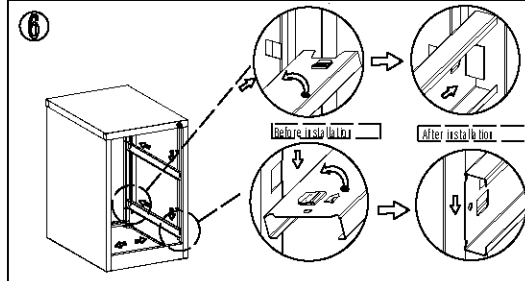
3 Connect the back plate and left and right side plates by screws.



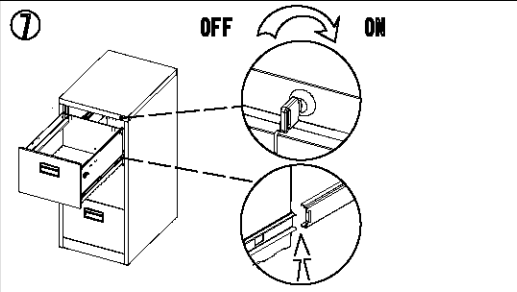
4 Install the top plate as shown on the picture.



5 Before install drawer After installation



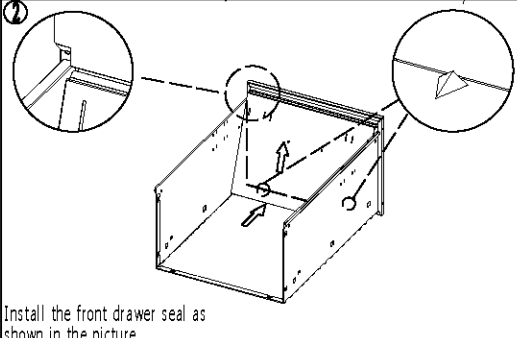
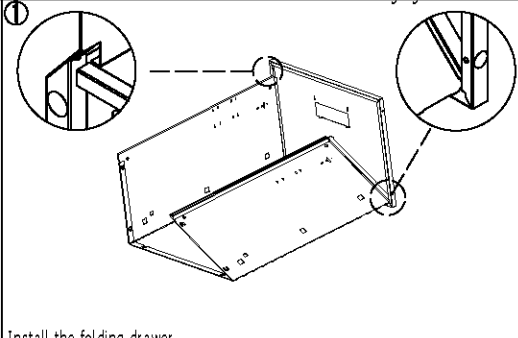
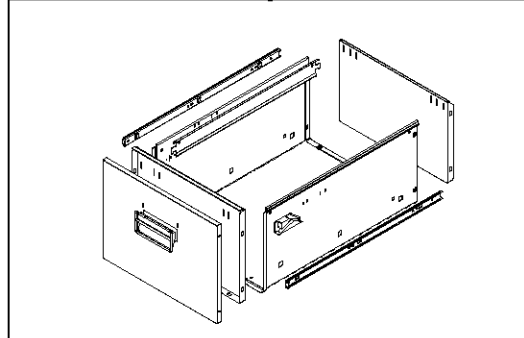
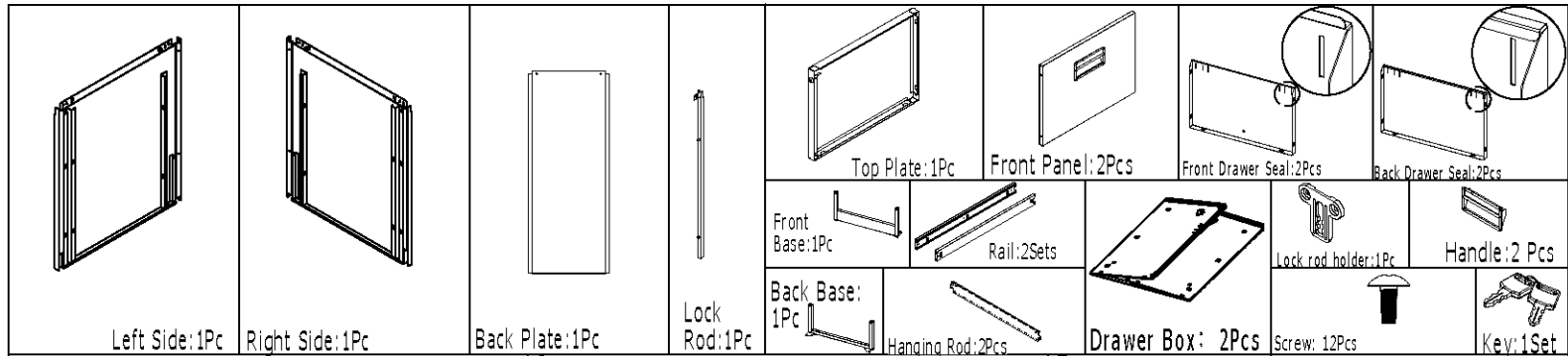
6 Install the outer rails.



7 OFF ON

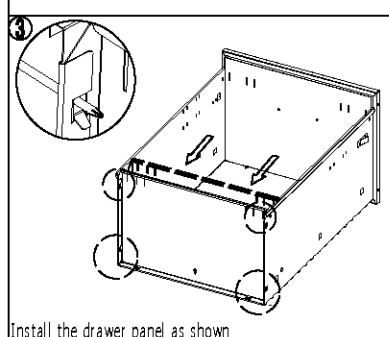
Install the drawers as shown in the picture(lock opening).

www.hefeng-furniture.com

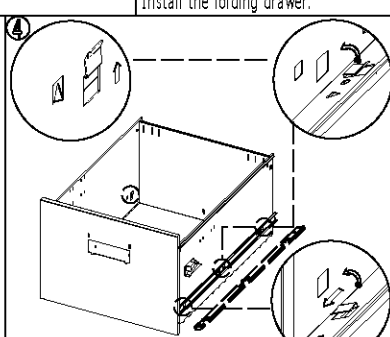


1 Install the folding drawer.

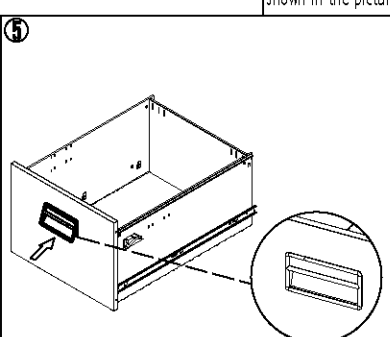
2 Install the front drawer seal as shown in the picture.



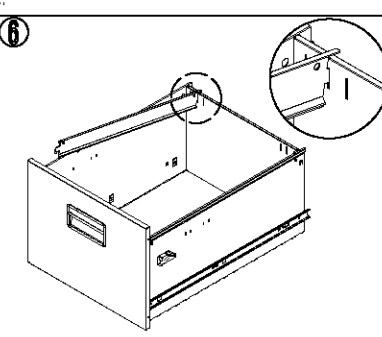
4 Install the drawer panel as shown in the picture.



5 Install the inner rails.



6 Install the handle as shown in the picture



7 Install the hanging rod as shown in the picture