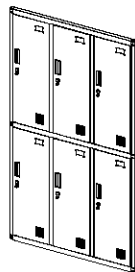


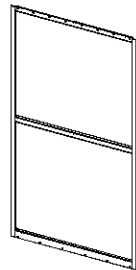
Left Side Plate:1 Pc



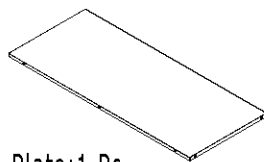
Right Side Plate:1 Pc



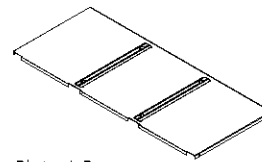
Door Frame:1 Pc



Back Plate:1 Pc



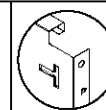
Top Plate:1 Pc



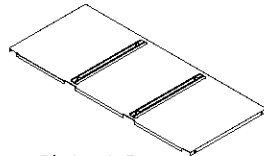
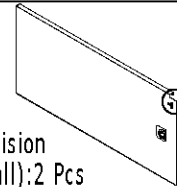
Middle Plate:1 Pc



Hanging Rod:  
Left(Short):4 Pcs  
Right(Long):2 Pcs



Upper Division  
Plate(Small):2 Pcs



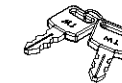
Bottom Plate:1 Pc



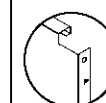
Standing Feet:4 Pcs



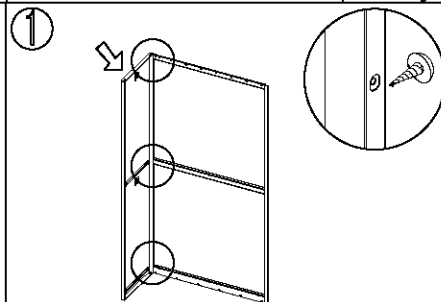
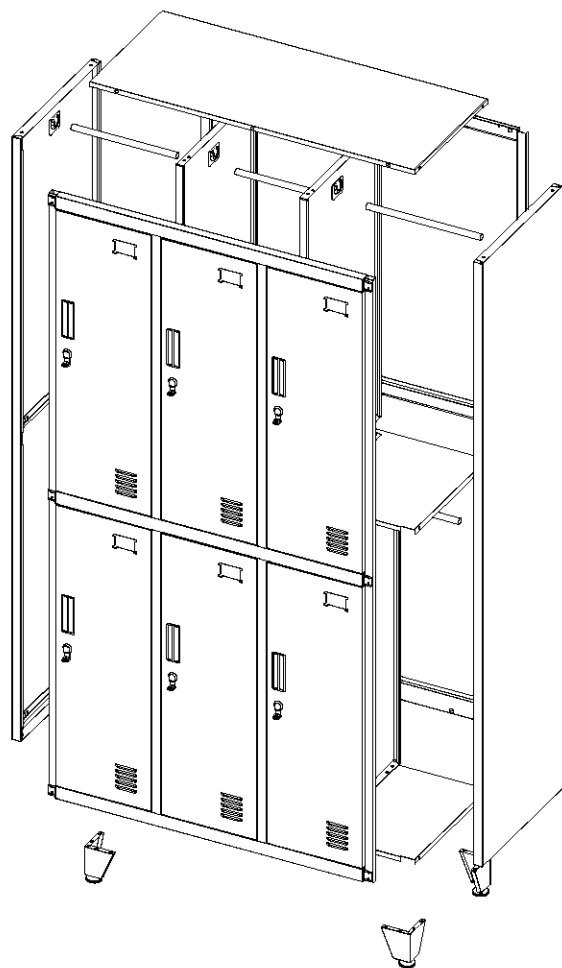
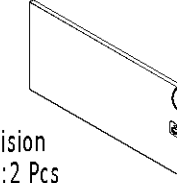
Self-tapping  
Screw(5x12):27 Pcs



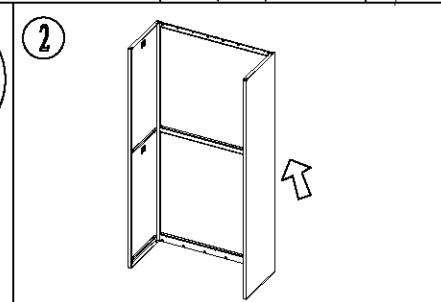
Key:6 Sets



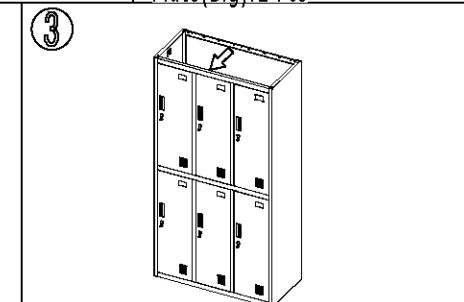
Lower Division  
Plate(Big):2 Pcs



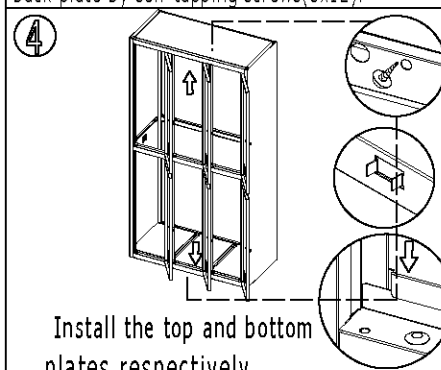
1 Connect the left side plate with back plate by self-tapping screws(5x12).



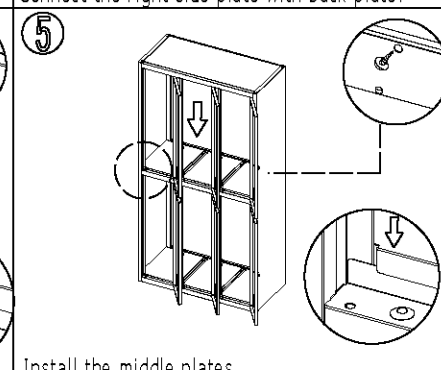
2 Connect the right side plate with back plate.



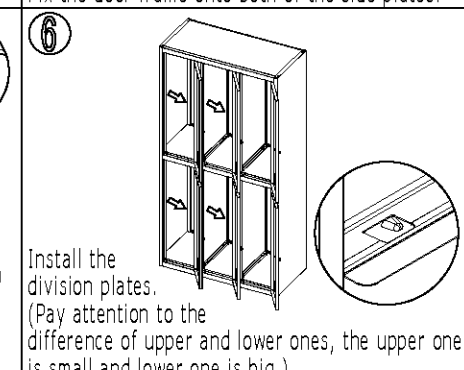
3 Fix the door frame onto both of the side plates.



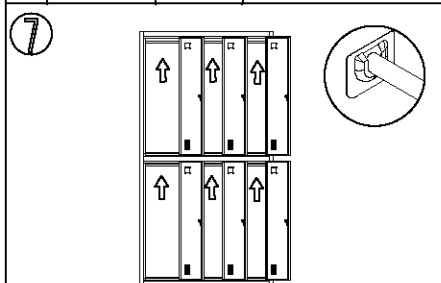
4 Install the top and bottom plates respectively



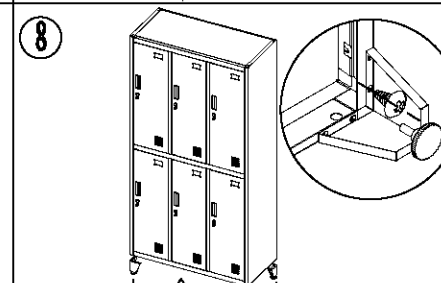
5 Install the middle plates.



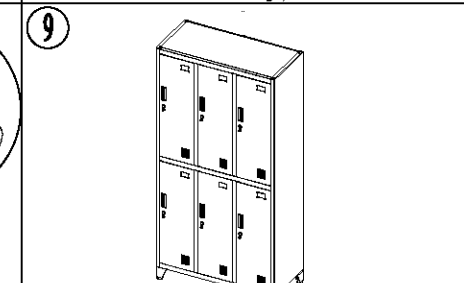
6 Install the division plates.  
(Pay attention to the difference of upper and lower ones, the upper one is small and lower one is big.)



7 Install the hanging rods.



8 Install the standing feet with screws(5x12).



9 Adjust each part till fit well after installation.