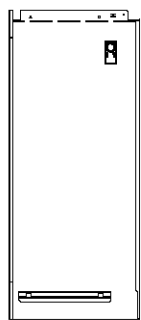
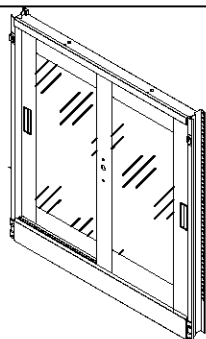


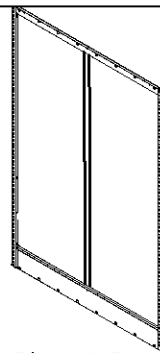
Left Side Plate:1 Pc



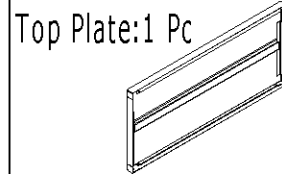
Right Side Plate:1 Pc



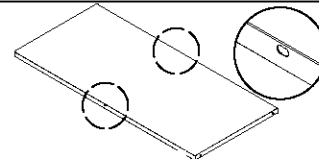
Door Frame:1 Pc



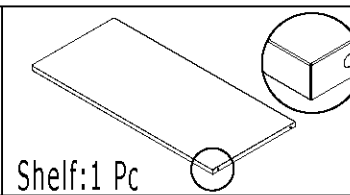
Back Plate:1 Pc



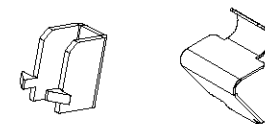
Top Plate:1 Pc



Bottom Plate:1 Pc



Shelf:1 Pc



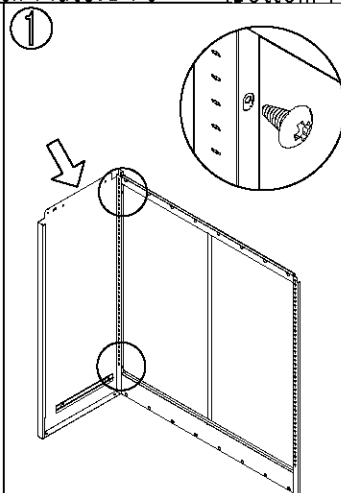
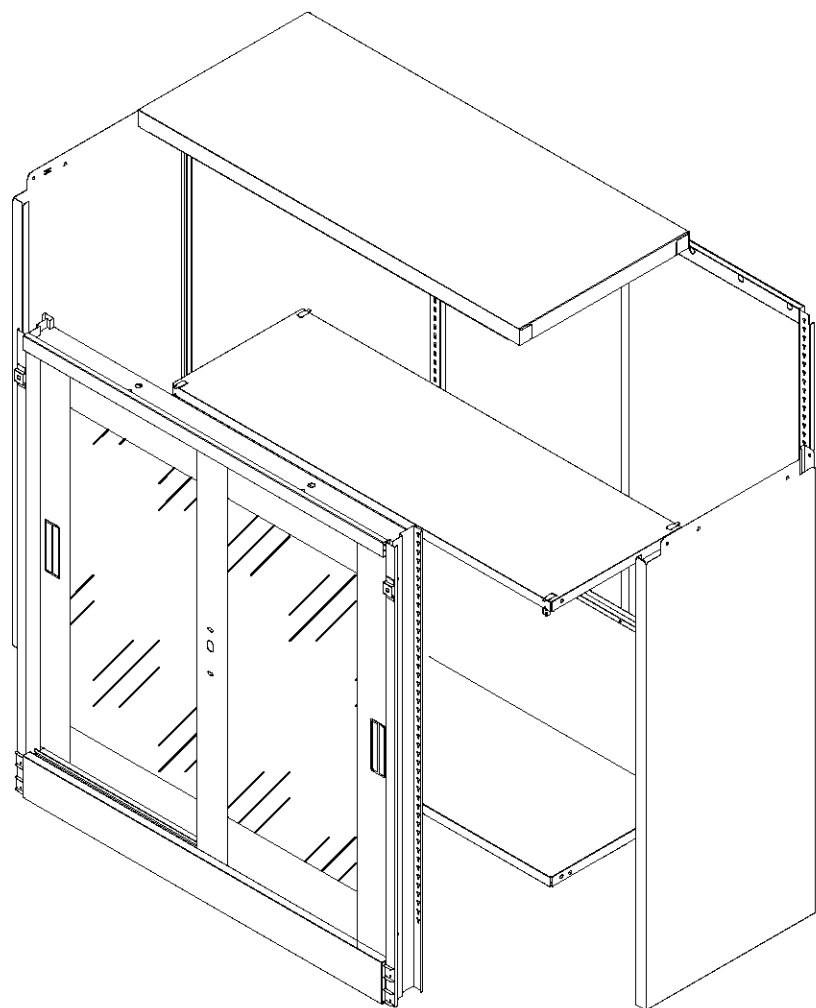
Shelf Holder:8 Pcs



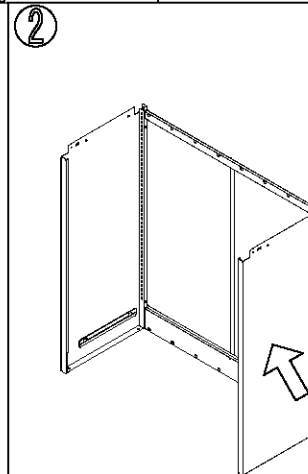
Self-tapping  
Screw(5x12):6 Pcs



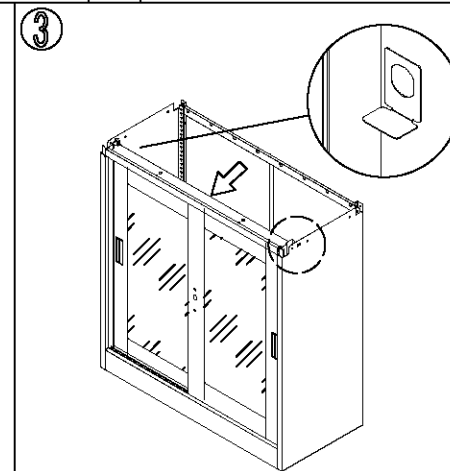
Key:1 Set



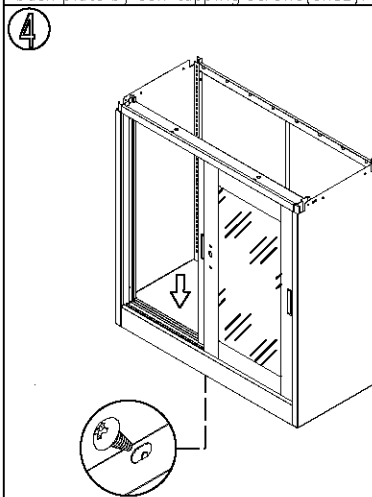
1  
Connect the left side plate with back plate by self-tapping screws(5x12).



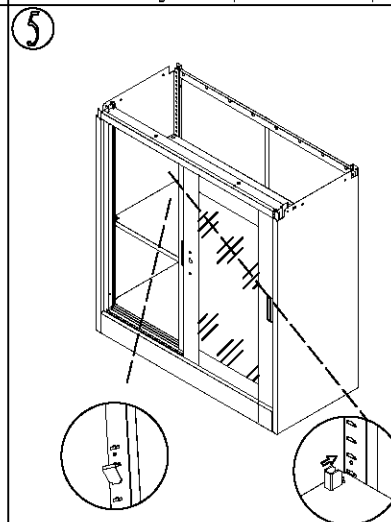
2  
Connect the right side plate with back plate.



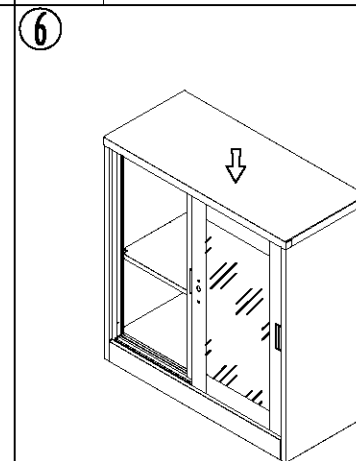
3  
Fix the door frame onto both of the side plates.



4  
Install the bottom plate.



5  
Install the shelves.



6  
Install the top plate as shown in the picture.