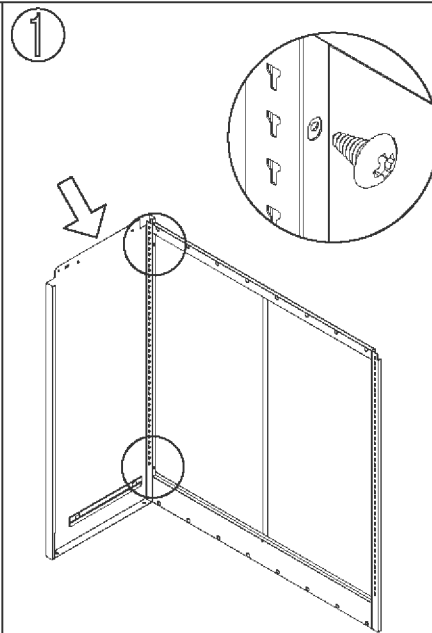
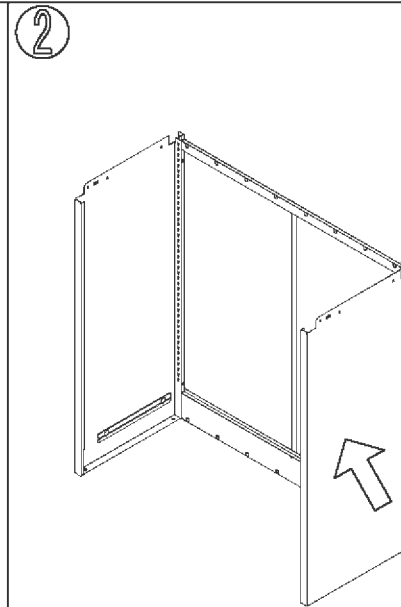


www.hefeng-furniture.com

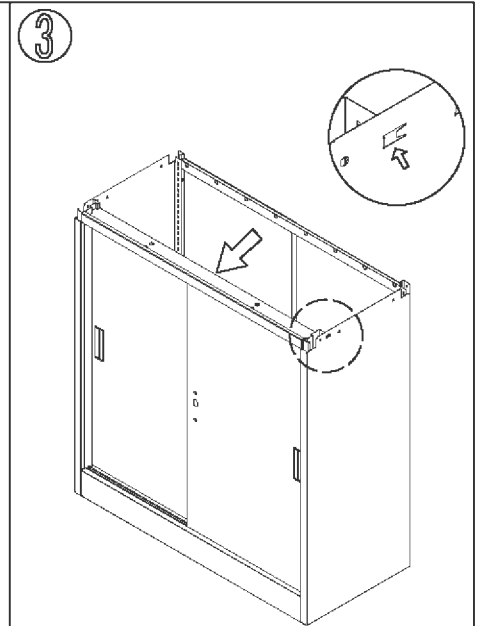
Item No.	Component	Remarks	Qty
1	Back Plate		1
2	Left Side Plate		1
3	Right Side Plate		1
4	Door Frame		1
5	Top Plate		1
6	Bottom Plate		1
7	Shelf		2
8	Shelf Locking Clip		4
9	Shelf Holder		2
10	Shelf Holder		2
11	Shelf Locking Clip		4
12	Shelf Holder		2
13	Shelf Holder		2



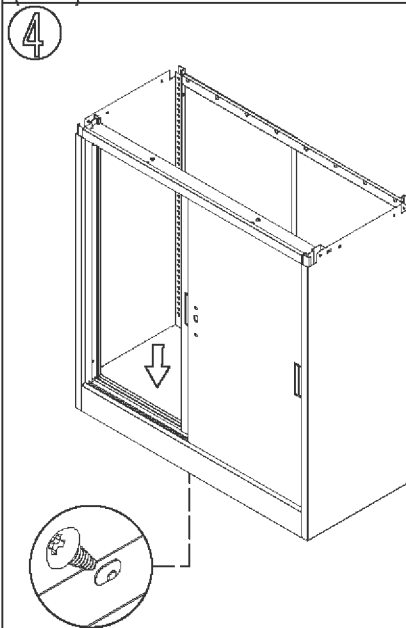
1 Bolt the side plate and back plate with self-tapping screws (5x12).



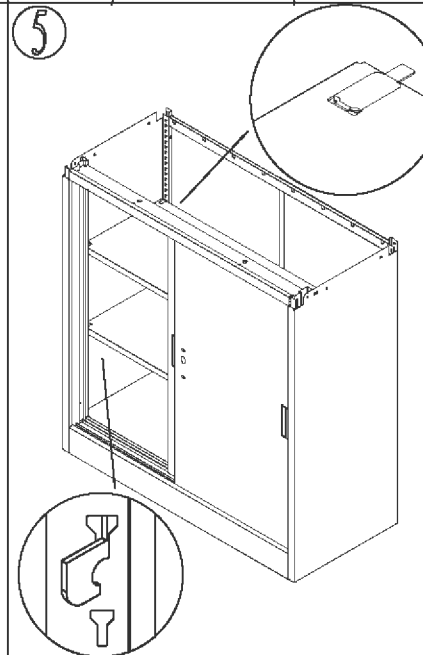
2 Bolt the other side plate in the same way as the first step.



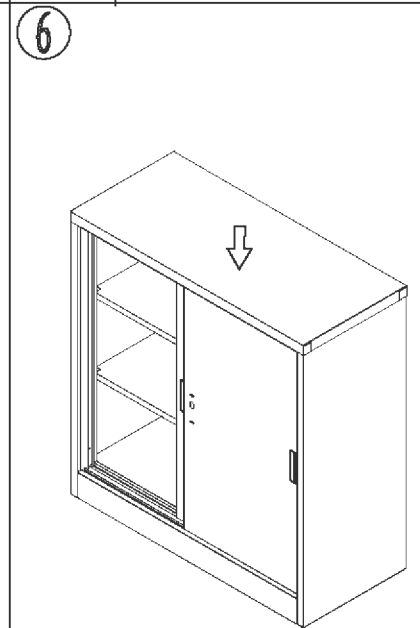
3 Fix the door frame onto both of the side plates.



4 Install the bottom plate.



5 Install the shelves.



6 Install the top plate as the sign.