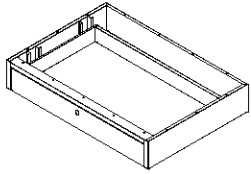
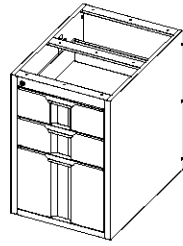


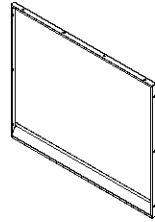
Left Leg: 1 Pc



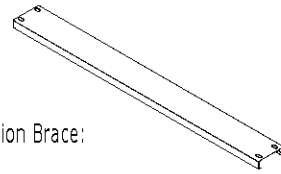
Middle Drawer: 1 Pc



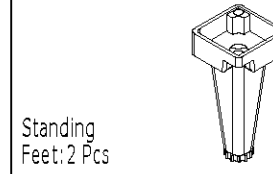
3 Drawer Cabinet: 1 Pc



Back Plate: 1 Pc



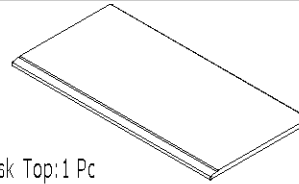
Tension Brace: 1 Pc



Standing Feet: 2 Pcs



5*12 Self-tapping Screw: 25 Pcs



Desk Top: 1 Pc



6*25 Screw: 4 Pcs

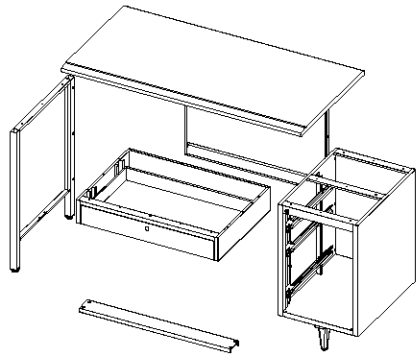


6*10 Screw: 10 Pcs

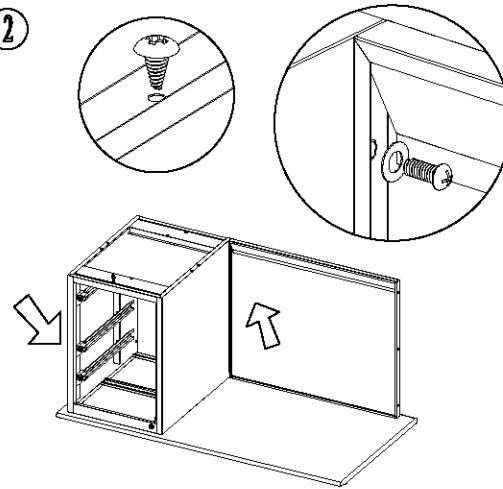


Key: 2 Sets

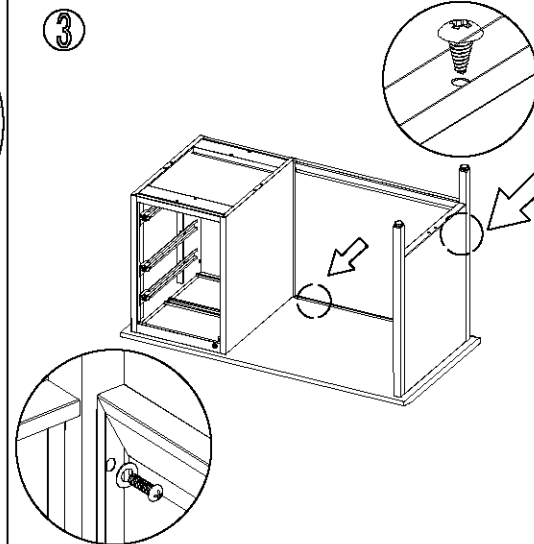
①



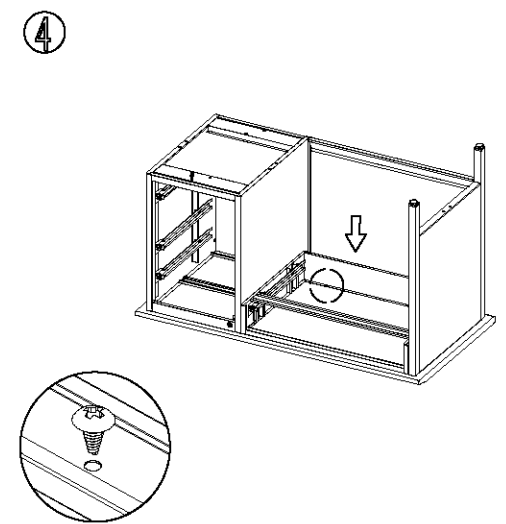
②



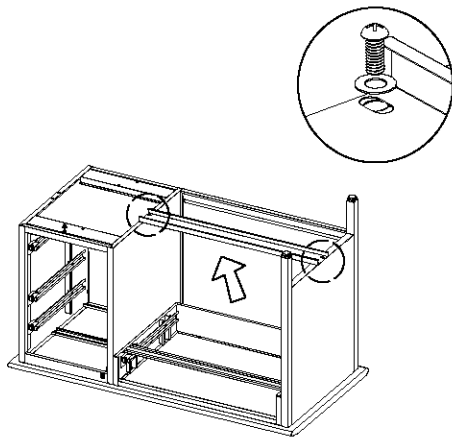
③



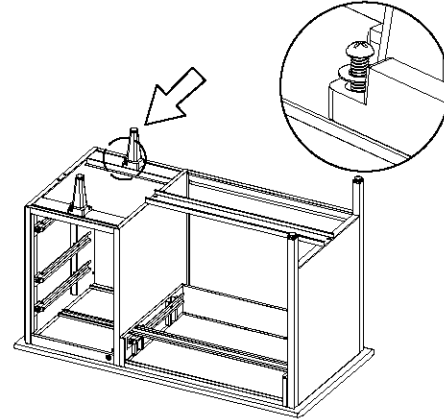
④



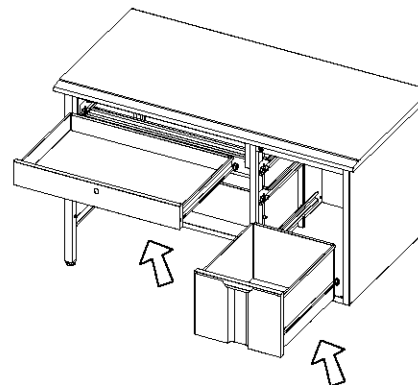
⑤



⑥



⑦



⑧

