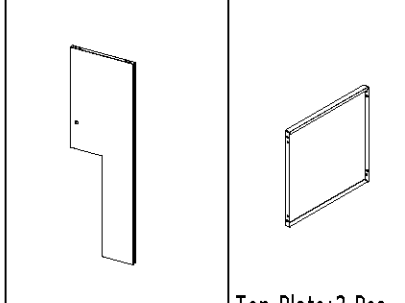
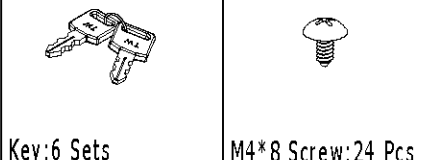


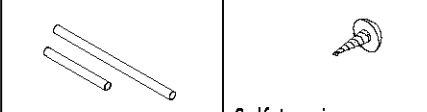
Left Side Plate: 1Pc
 Right Side Plate: 1Pc
 Middle Plate: 2 Pcs
 Door Frame: 3 Pcs
 Back Plate: 3 Pcs



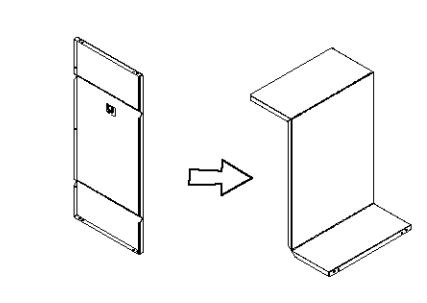
Door Plate: 6 Pcs
 Top Plate: 3 Pcs
 Bottom Plate: 3 Pcs



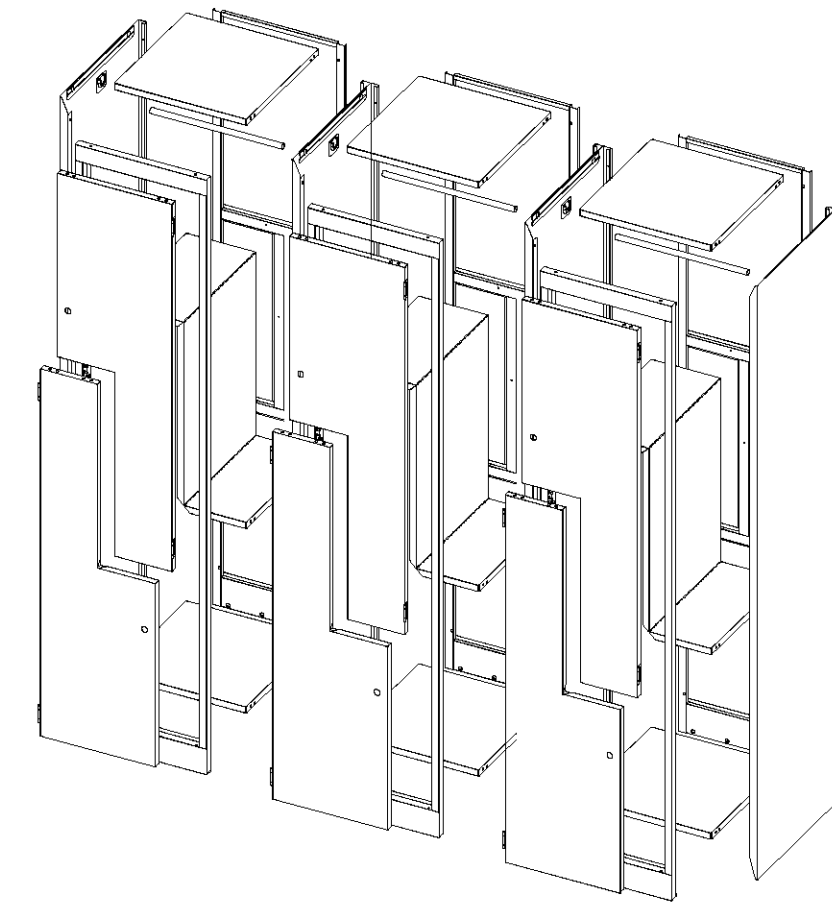
Key: 6 Sets
 M4*8 Screw: 24 Pcs



Hanging Rod: 6 Pcs
 Self-tapping Screw (5x12): 27 Pcs



Division Plate: 3 Pcs



①

Connect the left side with back plate by self-tapping screws (5x12).

②

Connect the right side with back plate in the same way as the first step.

③

Install the door frames.

④

Install the bottom plate respectively.

⑤

Install the top plate respectively.

⑥

Install the division plate as the drawing.

⑦

Install the top door as shown in the picture.

⑧

Install the hanging rod.

⑨

Adjust each part till fit well after installation.